



Equipment
for beauty salons
and SPA centres

2019



IM
IMAGE
MASTER



IMAGE
MASTER

IMAGE MASTER – TRUST THE PROFESSIONALS!

TABLE OF CONTENTS

HAIRDRESSING CHAIRS	6
BACKWASH UNITS	20
MIRRORS	32
BARBER COLLECTION	40
STOOLS	44
RECEPTION DESKS	49
WAITING AREA FURNITURE	52
LABORATORIES / CABINETS	56
MANICURE EQUIPMENT	60
PEDICURE EQUIPMENT	66
MASSAGE EQUIPMENT	76
COSMETOLOGY EQUIPMENT	82
WORKING TABLES	88
COMPONENTS AND MATERIALS	90
ADDITIONAL SERVICES	96

OVER 15 YEARS OF EXPERIENCE



IM

IMAGE
MASTER

Hitek Group with its brand *Image Master* is one of the leaders in the beauty market. We are proud to offer our customers a complex approach to equipping beauty salons. Be it a beauty salon, a SPA centre, or an ordinary hair studio – you can find the equipment here that suits every taste and budget. The Image Master catalogue covers a wide range of models made in various styles, as well as accessories, which are always in stock.



IN THE BEAUTY MARKET



METAL FRAME WORKSHOP

Here, steel and aluminium products, as well as products of other alloys are processed and manufactured. Experience in the production of metal items, using the most advanced technologies in the industry make it possible to produce high-quality products only.

CABINET FURNITURE WORKSHOP

Finished products emerge thanks to expertise, skills, care and experience of our professionals who make each item a one-of-a-kind product. Our own process design department allows creating beautiful and functional products for beauty salons.

UPHOLSTERED FURNITURE WORKSHOP

With our best quality raw materials and highly skilled labour, we can produce high-quality products. Having more than 40 colours on hand, we can manufacture unique masterpieces.

IMAGE MASTER – MAKE YOUR IDEAS REAL!



IMAGE MASTER –
TRUST THE PROFESSIONALS!

IMAGE MASTER

Image Master is a brand developed by Hitek Group. It has been manufacturing and selling hairdressing equipment and furniture for beauty salons for over 15 years.

Our professionals are focused on the detailed study of customers' needs, as well as mastering and introducing new production technologies. This allows us to manufacture products for beauty salons as good in quality as foreign counterparts – but at prices that are more attractive.

Image Master constantly expands its production capacities. The furniture factory, once being a small shop, is a robust, well-equipped facility today that keeps up with the pace of time. The production base is located in a Russian city of Podolsk. Here, in a 6,000 sq. m facility, we have our advanced equipment, utility areas, and warehouse of finished products.

The production includes five departments: cabinet and upholstered furniture shop, metal frames shop, as well as woodworking and painting shops.

Each one of the shops has its own technological areas, combined in one production cycle. The finished product runs the gamut from cutting out the elements, manufacturing, technical processing to quality check prior to shipment. A single managerial strategy, which links hundreds of elements, covers all production processes in the factory. This approach allows obtaining excellent results in a wide range of furniture and equipment manufactured under the brand of Image Master. Image Master is a full-cycle production. It allows us to achieve significant cost reduction and manufacture our products of quality faster and with less expense.

Highly qualified product and process engineers are engaged into product development in close collaboration with designers who keep up with the latest industry trends. Furniture designers visit specialized exhibitions in Russia and abroad from time to time, thus

developing new collections to meet the current design requirements of hair and beauty salons. We can offer our customers a variety of equipment models and its modifications as well as unique design solutions. Continuous market research and marketing studies allow us to stay at the peak of high demand.

Experts of our company can visit customers at the future salon facilities to discuss design ideas and measure the room. Based on these measurements and discussions, our designers then develop a concept design through combining elements of the interior with suitable equipment items.

Furniture and equipment of the constant stock are manufactured in the routine mode; the stock available can meet the steady demand. This is especially convenient for customers who need to equip the salon as soon as possible – they can visit our company, choose the equipment, make all the payments and redecorate their salon the very next day.

Image Master offers a wide range of additional services, e.g. delivery,



IMAGE MASTER – BETTER QUALITY AT LOWER PRICES!



installation and maintenance of equipment. We value our good reputation. That is why all equipment manufactured by our company has a one-year warranty starting from the date of its purchase.

At present, the equipment manufactured by Image Master is available in Hitek Group showrooms in Moscow, St. Petersburg, Yekaterinburg, Nizhny Tagil, Perm, Tyumen, Chelyabinsk, Barnaul, Kemerovo and Tomsk.

Due to the wide product range of the Image Master brand, our customers can fully equip any beauty salon, from styling areas, beauty salons and massage salons to nail bars and SPA areas.

Here are the main advantages of Image Master equipment:

- advanced production technologies
- functionality and convenience
- high quality
- reasonable prices
- customization options

CUSTOM-MADE FURNITURE

For the most fastidious taste!

Having analysed the needs of our customers, the Hitek management decided to introduce a new line of business, the custom-made furniture.

- custom manufacturing of furniture of any complexity made of chipboard
- manufacturing of professional equipment for labs and nail bars
- manufacturing of store fixtures and equipment (display cabinets, racks, etc.)
- design projects

The latest reliable equipment and a team of experienced process engineers is what makes it possible to create products of any complexity. All products are made of safe and sustainable materials. The company manufactures reasonably priced, standard, and non-standard custom-made furniture. You can consult our experts for free while our experienced managers will be happy to help you in choosing the solutions that are most suitable for you.

Custom-made furniture will help you to create a unique style and use the free space of any room wisely, be it a house or an apartment, an office or a beauty salon. Exclusive interior features is what can make any room cosy and special.

You can also enjoy our additional services:

- visit of a process engineer: prior to manufacturing of custom-made furniture, our expert will visit you at home or in the office to make all the required measurements. This is to make sure that the finished interior design items will perfectly match your room dimensions;
- delivery and assembly of products by professionals is the key to the durability of interior design items and their warranty.

CUSTOM-MADE FURNITURE IS A CONVENIENT, STYLISH AND FUNCTIONAL SOLUTION!



HAIRDRESSING CHAIRS

**NEW EVA**

EVA is elegant and graceful. It is a chair for those who prefer harmonious lines and soft shapes.

BRIGHTON NEW

Brighton is a cosy wide armchair with a comfortable backrest and arm rests. Your customers will like it for sure.

**NEW BRIGHTON decor**

The Brighton decor is a cosy wide armchair with a comfortable backrest. Its sides are decorated with blanket stitching. The colour may be chosen by the customer.

VERSAILLES NEW

You will fall in love with Versailles hairdressing chair at first glance. This cosy armchair with a wide backrest and rounded armrests will provide maximum convenience.



STATUS



Multifunctional reclining hairdressing chair with an adjustable headrest. Meets requirements of barbers and makeup artists for beard trimming and make-up. The chair is equipped with a footrest so that your customer feels most comfortable.

Basic colour: black.
Specification as pictured: E 030B hydraulic lift, A020 disk.
Inside measurements of the seat (WxD): 48x46 cm

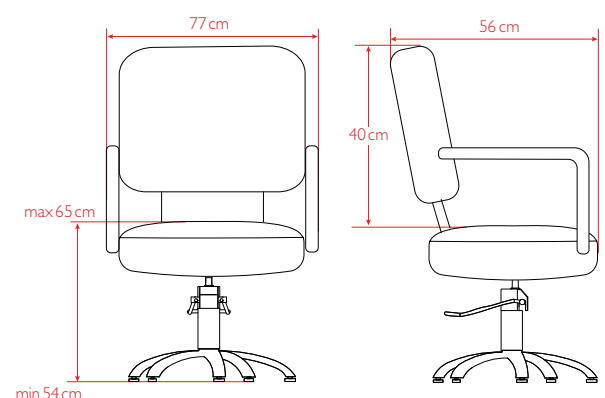
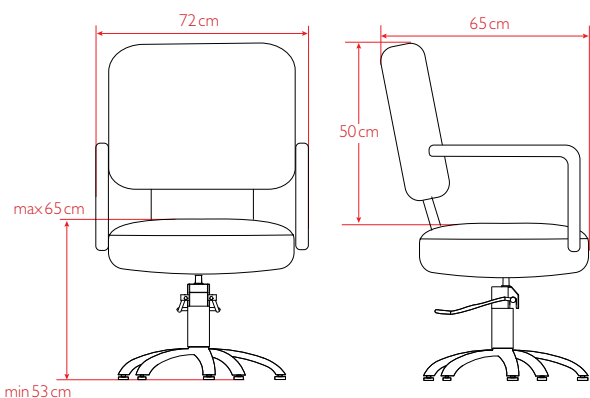


VERSAILLES



You will fall in love with Versailles hairdressing chair at first glance. This cosy armchair with a wide backrest and rounded armrests will provide maximum convenience. The decoration of the inner backrest surface with a four-wheel screeed with buttons makes this armchair one of a kind. The moulding finishing complements the design.

Basic colour: black/bronze moulding.
Specification as pictured: hydraulic lift JX-A04, disk.
Base at customer's choice: five-star, disk, square.
Inside measurements of the seat (WxD): 47x47 cm



PRESTIGE



PRESTIGE hairdressing chair is very comfortable due to latex filler. It creates the feeling of softness and allows the customer to relax during long sessions. Classic rounded shapes of the chair will add the feeling of comfort and luxury to the room.

Basic colour: black/pistachio piping; brown/ivory piping; black/black piping.
 Specification as pictured: hydraulic lift JX-A04, five-star JX-096.
 Base at customer's choice: five-star, disk, square.
 Inside measurements of the seat (WxD): 47x48 cm

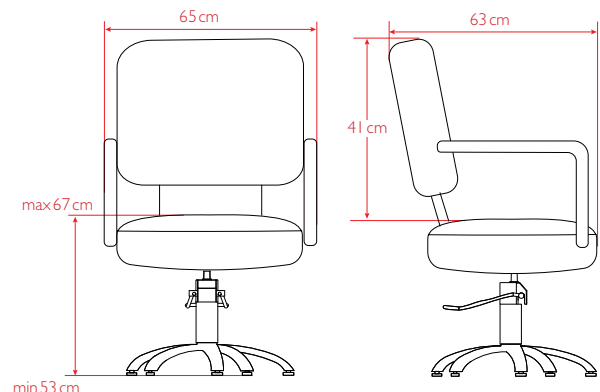
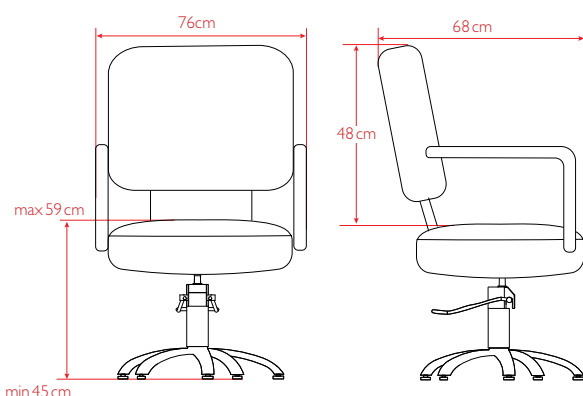


EVA



EVA is elegant and graceful. It is a chair for those who prefer harmonious lines and soft shapes. Wide armrests will give your customer extra comfort during procedures in your beauty salon. This chair is perfect with backwash units of IDEAL and EDEM series.

Basic colour: black.
 Specification as pictured: hydraulic lift JX-A04, disk.
 Base at customer's choice: five-star, disk, square.
 Inside measurements of the seat (WxD): 47x47 cm



BRIGHTON

BRIGHTON decor



BRIGHTON collection includes several products: BRIGHTON customer's chair, BRIGHTON decor customer's chair (with blanket stitching), BRIGHTON decor backwash unit (with blanket stitching).

Straight lines, wide seats, and blanket stitching decorations makes this collection especially attractive.

Your customers will surely like a cosy wide armchair of BRIGHTON collection with a comfortable backrest and arm rests.

Sides of BRIGHTON decor chair are decorated with blanket stitching. The colour may be chosen by the customer.

Basic colour: black.

Specification as pictured:

hydraulic lift JX-A04, square.

Base at customer's choice: five-star, disk, square.

Inside measurements of the seat (WxD): 48x40 cm

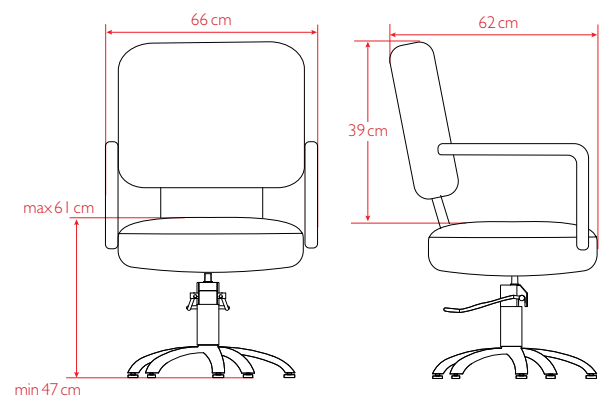
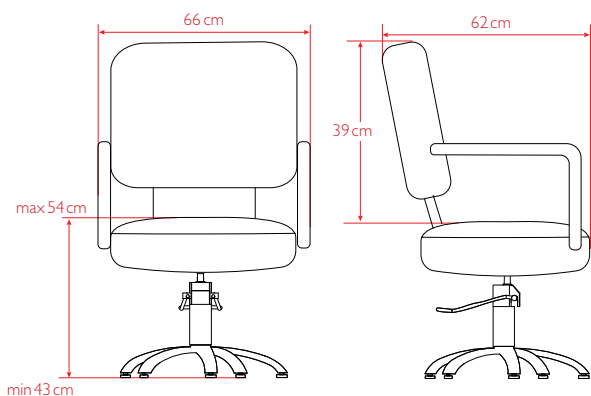
Basic colour: black/white stitching.

Specification as pictured:

hydraulic lift JX-A04, five-star JX-096.

Base at customer's choice: five-star, disk, square.

Inside measurements of the seat (WxD): 48x40 cm

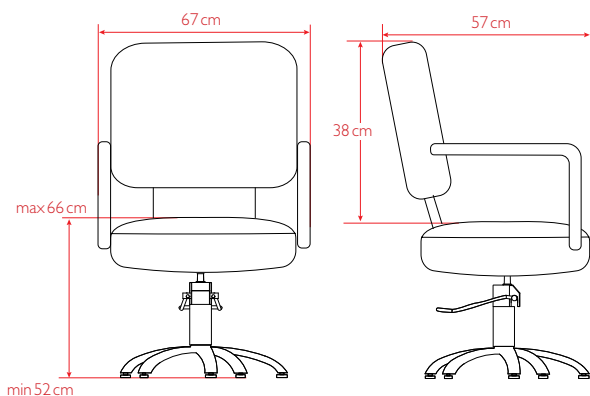


SMILE PLUS



Modern and bright chair. Stylish two-colour seat cover will make your interior unique. The frame of the seat and backrest is made of moulding polyurethane foam and covered with high-quality artificial leather. The seat cover is enhanced with additional seams in the areas of maximum load.

Basic colour: black.
 Specification as pictured: hydraulic lift JX-A04, five-star JX-403.
 Base at customer's choice: five-star, disk, square.
 Inside measurements of the seat (WxD): 45x49 cm

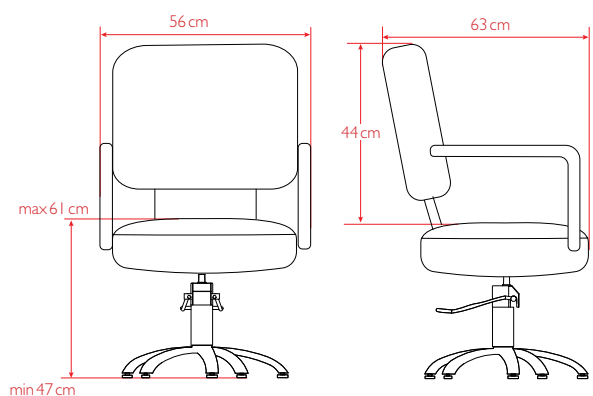


LEAGUE



A very popular and cosy model of hairdressing chair with chrome-plated arms. Available in one-colour and two-colour faux leather covers.

Basic colour: black.
 Specification as pictured: hydraulic lift JX-A04, five-star JX-096.
 Base at customer's choice: five-star, disk, square.
 Inside measurements of the seat (WxD): 45x43 cm



LIRA



A comfortable chair with a simple neat design. Elegant shapes combined with chrome-plated armrests confer lightness to the chair's appearance.

Basic colour: black.

Specification as pictured: hydraulic lift JX-A04, five-star JX-096.

Base at customer's choice: five-star, disk, square.

Inside measurements of the seat (WxD): 50x44 cm

LUNA



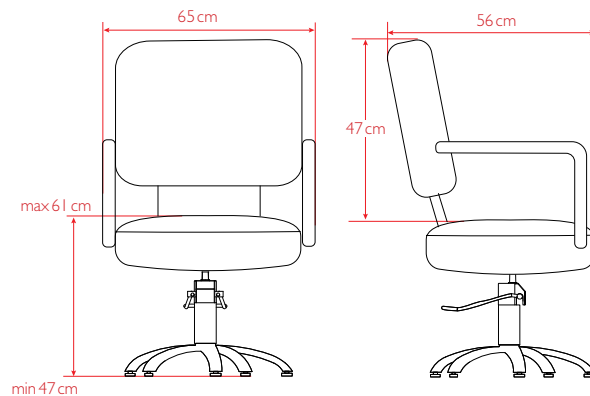
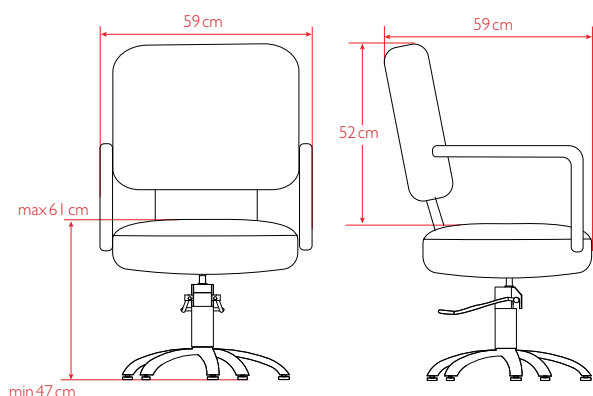
A modern chair with ergonomic backrest and seat. Unusual armrests emphasize the stylish design of the chair.

Basic colour: black.

Specification as pictured: hydraulic lift JX-A04, five-star JX-096.

Base at customer's choice: five-star, disk, square.

Inside measurements of the seat (WxD): 48x43 cm



NICOLE



The original design of the chair with soft armrests will perfectly enhance the style of your salon. High-quality cover made of artificial leather will keep clear geometric forms of the chair during the entire period of its service.

Basic colour: brown, bronze, red, black.
 Specification as pictured: hydraulic lift JX-A04, five-star JX-096.
 Base at customer's choice: five-star, disk, square.
 Inside measurements of the seat (WxD): 45x46 cm

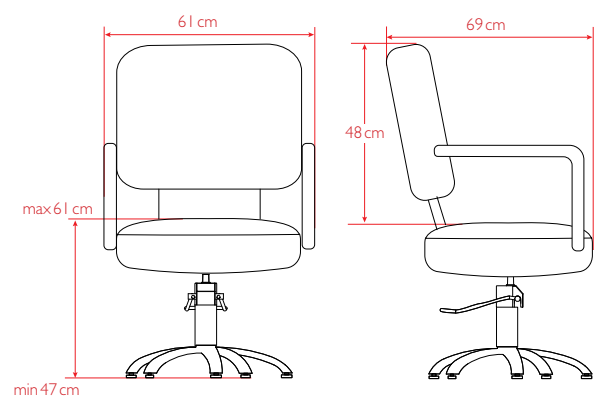
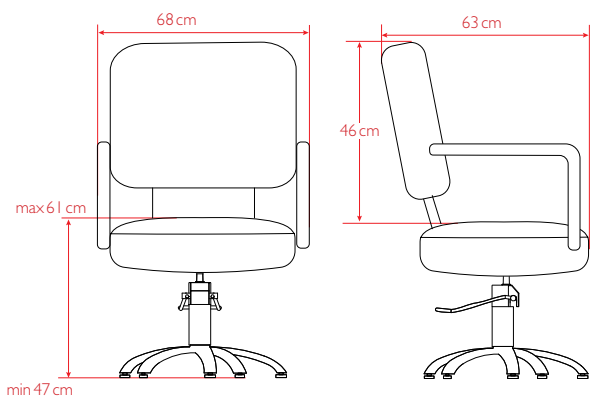


KASATKA



One of the widest and most comfortable chairs in the collection by Image Master. Graceful bends of the chair are highlighted by the chrome-plated armrests with cover plates upholstered in the same colour as the chair itself. Available as one or two colours of artificial leather.

Basic colour: brown/ivory sides.
 Specification as pictured: hydraulic lift JX-A04, five-star JX-096.
 Base at customer's choice: five-star, disk, square.
 Inside measurements of the seat (WxD): 52x46 cm



BRUTE I



BRUTE II



Hairdressing chairs Brute I and Brute II are distinguished by their strong personality and functionality, due to which they can become a basis for loft-styled interior design.

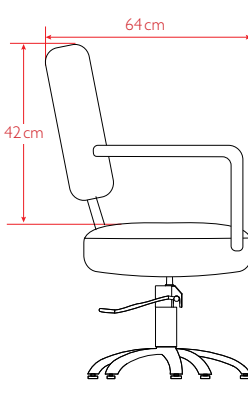
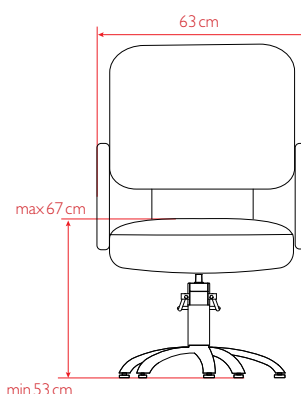
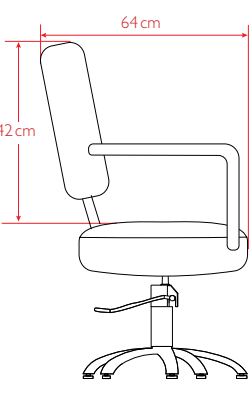
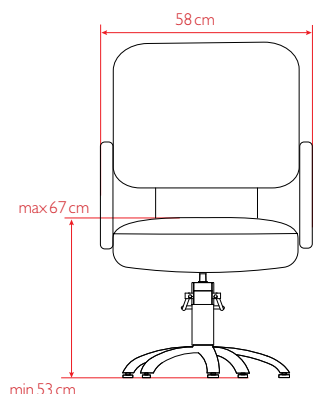
The seat and backrest of this model are neat and simple, repeating its geometric forms. Brute II is completed with soft arms to make sure your customer will feel comfortable. An option with a footrest is available.

Basic colour: black.

Specification as pictured: hydraulic lift JX-A04, disk

Base at customer's choice: five-star, disk, square.

Inside measurements of the seat (WxD): 50x50 cm

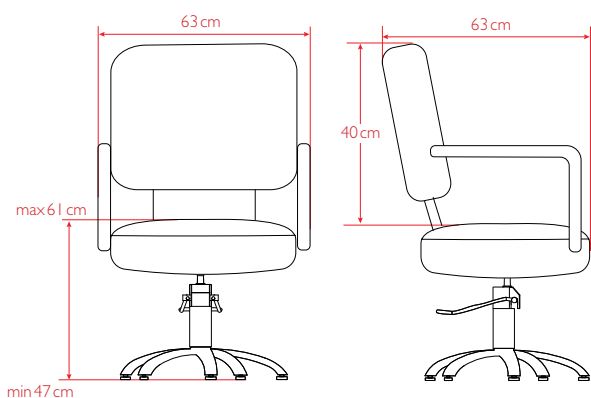


BOSTON



The stylish BOSTON hairdressing chair will enrich the design of any beauty salon. Modern design and excellent ergonomic features will provide comfort to the customer during a session at your beauty salon. The chair has comfortable armrests.

Basic colour: brown, black.
 Specification as pictured: hydraulic lift JX-A04, five-star JX-096.
 Base at customer's choice: five-star, disk, square.
 Inside measurements of the seat (WxD): 47x45 cm

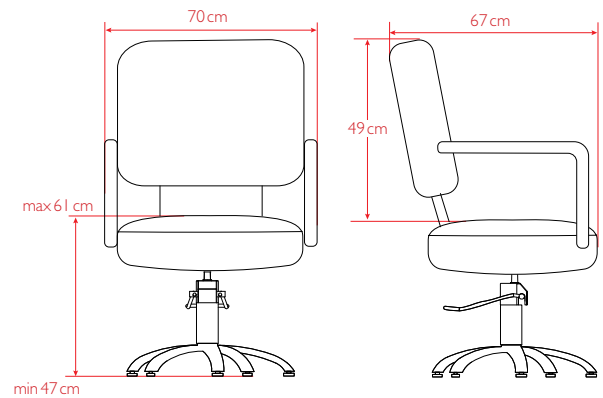


LEGO



This comfortable chair with a wide seat and unique quilted cover has chrome-plated arms with soft pads upholstered in the same colour as the chair itself. Available in one-colour and two-colour faux leather covers.

Basic colour: brown/ivory sides, black.
 Specification as pictured: hydraulic lift JX-A04, five-star JX-096.
 Base at customer's choice: five-star, disk, square.
 Inside measurements of the seat (WxD): 47x45 cm



INEX



A popular stylish chair with chrome-plated arms. Available in one-colour and two-colour faux leather covers.

Basic colour: black, red.
 Specification as pictured: hydraulic lift JX-A04, five-star JX-096.
 Base at customer's choice: five-star, disk, square.
 Inside measurements of the seat (WxD): 52x46 cm

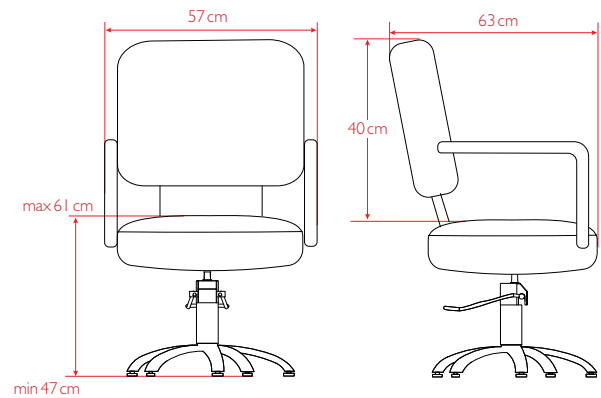
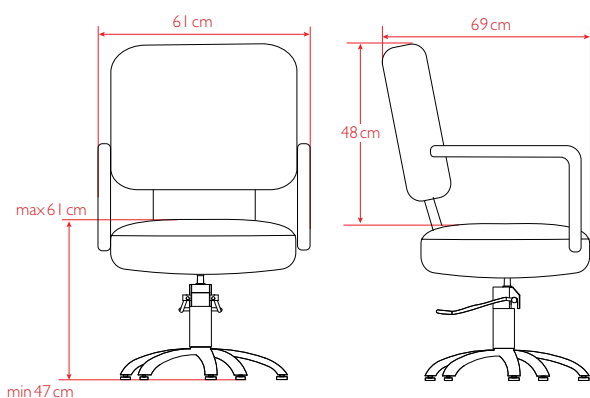


GLORIA



A compact chair with comfortable metal arms.

Basic colour: red, black.
 Specification as pictured: hydraulic lift JX-A04, five-star JX-096.
 Base at customer's choice: five-star, disk, square.
 Inside measurements of the seat (WxD): 48x45 cm

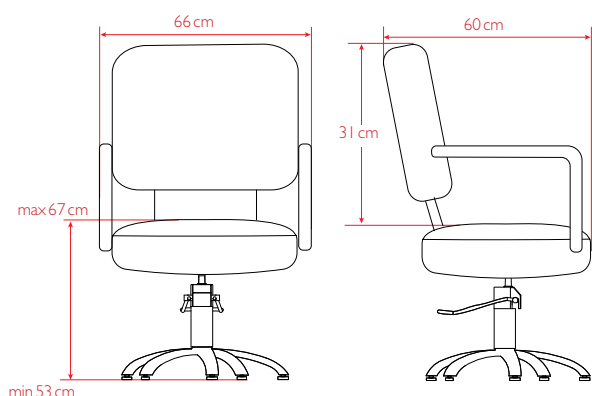


DOMINO



A stylish designer chair of cubic shape. Reliable frame made of moulding polyurethane foam provides a long service life of the chair.

Basic colour: black.
 Specification as pictured:
 hydraulic lift JX-A04, disk.
 Base at customer's choice: five-star, disk, square.
 Inside measurements of the seat (WxD): 49x44 cm

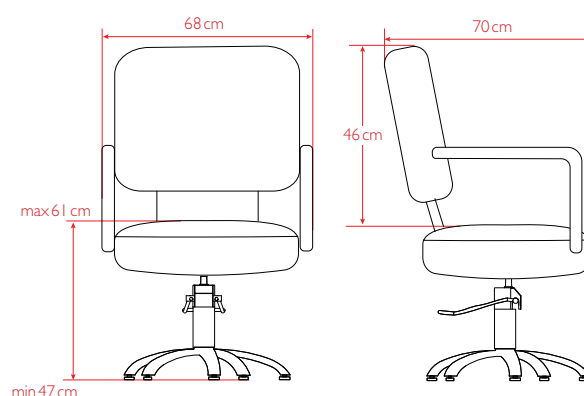


ECLIPSE



A superb hairdressing chair with high soft backrest and comfortable plastic arms. It perfectly matches the Evolution backwash unit.

Basic colour: red, black.
 Specification as pictured:
 hydraulic lift JX-A04, five-star JX-096.
 Base at customer's choice: five-star, disk, square.
 Inside measurements of the seat (WxD): 54x46 cm



STANDARD



A modern, stylish and cosy hairdressing chair with comfortable armrests. It will be a perfect solution for any beauty salon.

Specification as pictured: hydraulic lift JX-A04, five-star JX-096.

Base at customer's choice: five-star, disk, square.

Inside measurements of the seat (WxD): 50x47 cm

SOLO



Modern, stylish and cosy hairdressing chair with comfortable armrests. Perfect for any beauty salon.

Specification as pictured: hydraulic lift JX-A04, five-star JX-096.

Base at customer's choice: five-star, disk, square.

Inside measurements of the seat (WxD): 49x44 cm



STANDARD hydraulics
Basic colour: black, brown.



SOLO hydraulics
Basic colour: black, red, brown.



STANDARD pneumatics chrome
Basic colour: any colour at customer's choice.



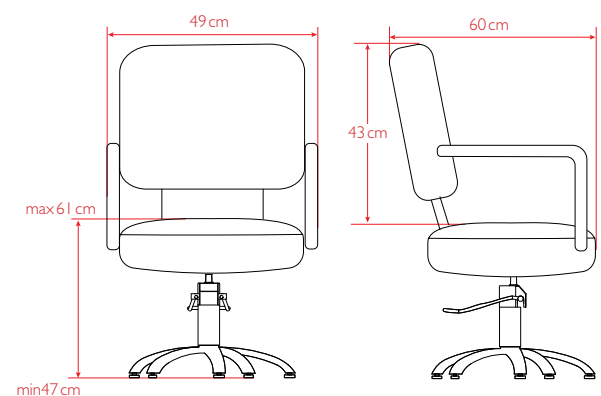
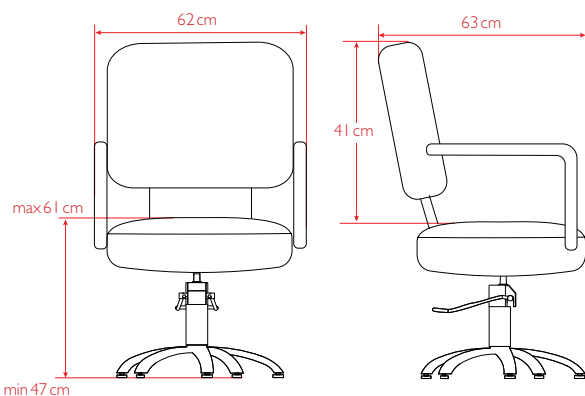
SOLO pneumatics chrome
Basic colour: black.



STANDARD pneumatics
Basic colour: any colour at customer's choice.



SOLO pneumatics
Basic colour: black.



CONTACT



A modern, stylish and cosy hairdressing chair with comfortable armrests. It will be perfect for any beauty salon.

Specification as pictured: hydraulic lift JX-A04, five-star JX-096.

Base at customer's choice: five-star, disk, square.
Inside measurements of the seat (WxD): 47x40 cm



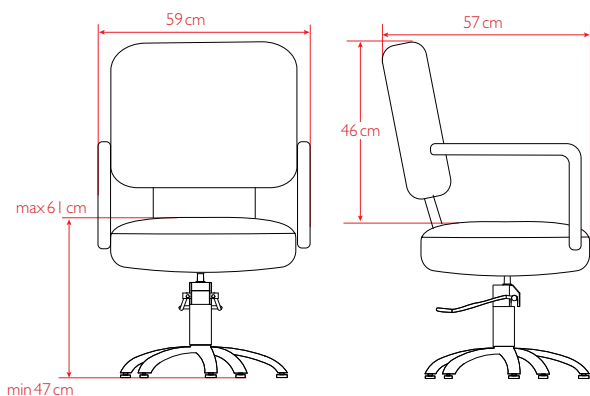
CONTACT hydraulics
Basic colour: black, red, brown.



CONTACT pneumatics chrome
Basic colour: black.



CONTACT pneumatics
Basic colour: black.



CHAIR COVER



Protective cover for a hairdressing chair. Individual for each chair.

JUNIOR



A comfortable cushioned chair for children. It is equipped with a backrest strap and additional anti-satin surface.

Basic colour: black, blue, brown.
Dimensions (WxHxD): 45x26x27 cm



BACKWASH UNITS



EDEM 2

EDEM 2 double backwash unit is perfect for any design of the beauty salon.

Simple geometric shapes make this model look elegant.

Wide seats will bring comfort to customers of any size.

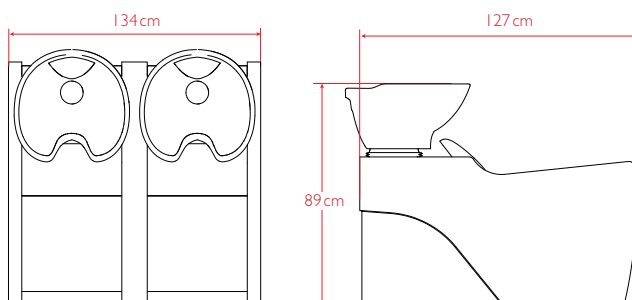
Various methods of utilities laying available: to the floor or sidewise.

EDEM 2 backwash unit specification:

- plastic housing (white/black)
- deep tilt group
- JX-020 deep sink (white/black)
- mixer tap unit

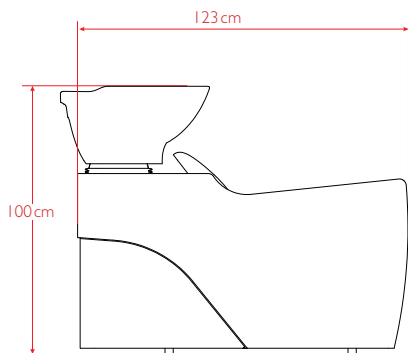
Basic colour: Black/black housing.

Inside measurements of the seat (WxD): 51x49 cm



IDEAL

A convenient backwash unit with an ergonomic chair. Anatomic backrest with lumbar cushion bolsters the spine of the customer in the correct position during the procedure. Soft arms create a feeling of cosiness and comfort. Various methods of utilities laying available: to the floor or sidewise. **IDEAL PLUS** backwash unit has a unique option: sink height can be adjusted by hydraulics.



IDEAL ECO/ IDEAL DECOR ECO



NEW

IDEAL ECO backwash unit specification:

- plastic housing (white/black)
- deep tilt group
- JX-020 deep sink (white/black)
- mixer tap unit

Basic colour: black/black housing

IDEAL DECOR ECO backwash unit specification:

- plastic housing (white/black)
- deep tilt group
- JX-020 deep sink (white/black)
- mixer tap unit

Basic colour: brown/piping ivory/white housing

IDEAL PLUS ELECTRO/ IDEAL PLUS DECOR ELECTRO



A comfortable backwash unit with electric adjustments:

- sink height adjustment;
- adjustment of the footrest tilt angle.

IDEAL PLUS ELECTRO backwash unit specification:

- REMOTE CONTROL
- plastic housing (white/black)
- deep tilt group
- deep sink JX-0331 (white/black)
- mixer tap unit

Basic colour: black/black housing
Dimensions (LxWxH): 140x83x96 cm

IDEAL PLUS / IDEAL PLUS DECOR



The arms of this backwash unit are decorated with edge piping.

IDEAL PLUS
Basic colour:
black/black housing

IDEAL PLUS DECOR
Basic colour:
Brown/piping ivory/ white housing

Dimensions (LxWxH): 128x82x98 cm

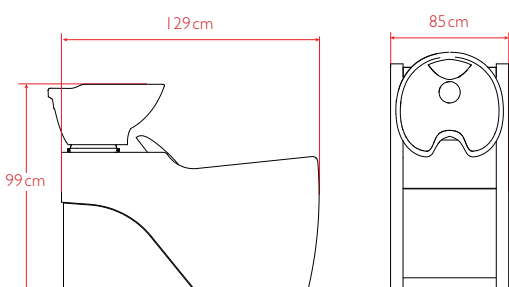
VERSAILLES

NEW



The Versailles collection has luxury and magnificence in detail. Decorative design of the inside surface of the backrest with four-wheel screed with buttons adds to the uniqueness of the collection. The design is complimented with moulding finishing. Versailles backwash unit with rounded armrests and comfortable backrest will let you decorate your beauty salon in a single luxurious style.

Basic colour: black/black housing/bronze moulding .
 Backwash unit specification: plastic housing (white/black), deep sink JX-020 (white/black), deep tilt group, mixer tap unit.
 Inside measurements of the seat (WxD): 52x54 cm

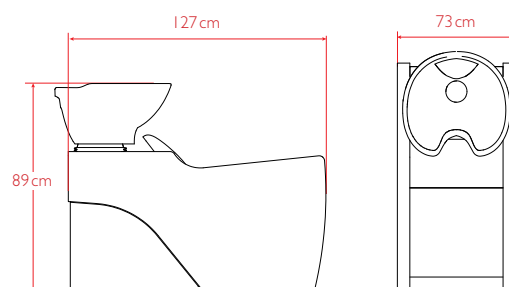


EDEM



A stylish and compact backwash unit, EDEM is perfect for any interior. Ergonomics of the backwash unit EDEM ensure comfort of the customer during long SPA procedures for hair.

Basic colour: black/black housing, brown/white housing.
 Backwash unit specification: plastic housing (white/black), deep sink JX-020 (white/black), deep tilt group, mixer tap unit.
 Inside measurements of the seat (WxD): 51x49 cm



BRIGHTON decor

CITY

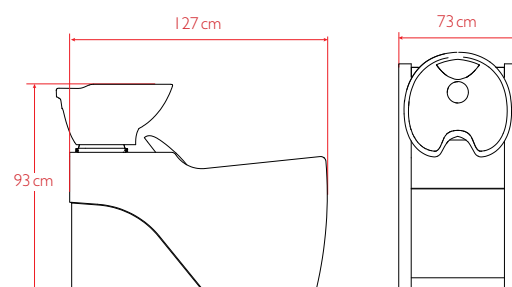
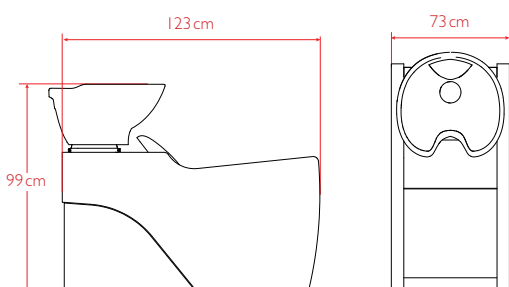


The BRIGHTON collection is a perfect solution for beauty salons. Straight lines, wide seats and decorative stitching solutions make this collection especially attractive. Brighton backwash unit with ergonomic backrest and soft arms allows the customer to feel special comfort during the session.

Ergonomic backrest of the chair is designed for the most comfortable position of the customer's spine during hairdressing procedures. Soft armrests of the chair provide the best comfort during the session. The backwash unit has various methods of utilities laying: to the floor or sidewise.

Basic colour: black/black housing/white stitching.
 Backwash unit specification: plastic housing (white/black), deep sink JX-020 (white/black), deep tilt group, mixer tap unit.
 Inside measurements of the seat (WxD): 54x52 cm

Basic colour: black/black housing, brown/white housing.
 Backwash unit specification: plastic housing (white/black), deep sink JX-020 (white/black), deep tilt group, mixer tap unit.
 Inside measurements of the seat (WxD): 54x52 cm

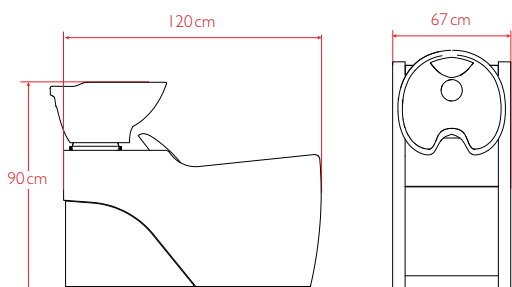


EVOLUTION



A comfortable backwash unit with anatomically shaped chair with extending seat. Equipped with metal arms with decorative plates of the same colour as the chair.

Basic colour: brown, red, black.
 Backwash unit specification: plastic housing (white/black), deep sink JX-020 (white/black), deep tilt group, mixer tap unit.
 Inside measurements of the seat (WxD): 53x44 cm

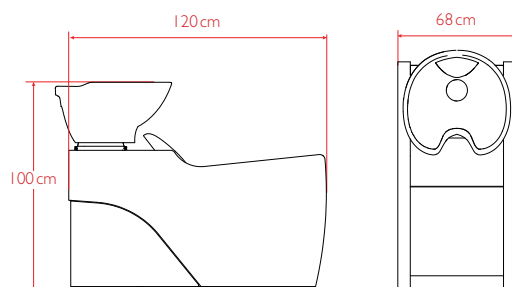


DOMINO



A backwash unit with wide rectangular chair and a comfortable tilt of the metal-frame backrest.

Basic colour: black/grey framing.
 Backwash unit specification: plastic housing (white/black), deep sink JX-020 (white/black), deep tilt group, mixer tap unit.
 Inside measurements of the seat (WxD): 54x52 cm



BAIKAL BACKWASH FRAME

The backwash frame is made of metal painted in silvery colour.

Options:

1. Ceramic sink
 - medium (white)
 - deep (white/black)
 - deep standard (white/black)
2. Tilt group
3. Mixer tap unit

BAIKAL STANDARD



Backwash unit specification: deep sink JX-020 (white/black), deep tilt group, mixer tap unit.

BAIKAL MILLENNIUM

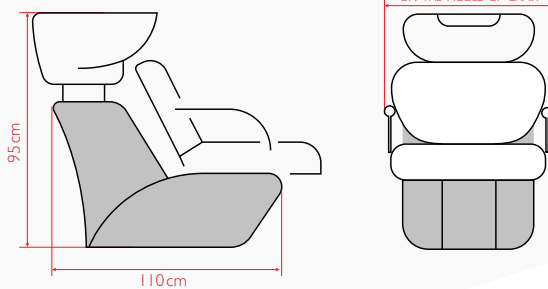


Backwash unit specification: deep sink JX-020 (white/black), deep tilt group, mixer tap unit.

BAIKAL CONTACT



Backwash unit specification: deep sink JX-020 (white/black), deep tilt group, mixer tap unit.



This backwash unit matches the following chairs:
Contact, League, Luna, Monika, Solo, Standard.

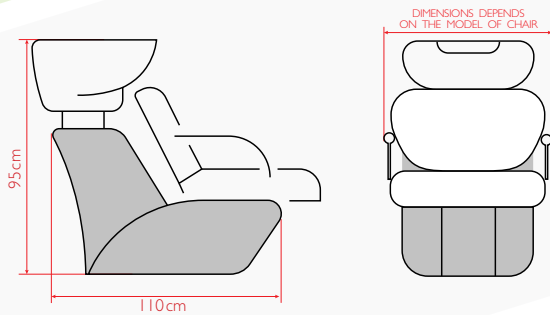


AQUA 3 BACKWASH FRAME

The backwash frame is made of metal covered with grey or black plastic housing.

Options:

1. Ceramic sink
 - medium (white)
 - deep (white/black)
 - deep standard (white/black)
2. Tilt group
3. Mixer tap unit



This backwash unit matches the following chairs: Inex, Kasatka, Contact, League, Lira, Lego, Luna, Monika, Nicole, Smile Plus, Solo, Standard.



AQUA 3 LEGO



Backwash unit specification: deep sink JX-020 (white/black), deep tilt group, mixer tap unit.

AQUA 3 STANDARD



Backwash unit specification: deep sink JX-020 (white/black), deep tilt group, mixer tap unit.

AQUA 3 LEAGUE



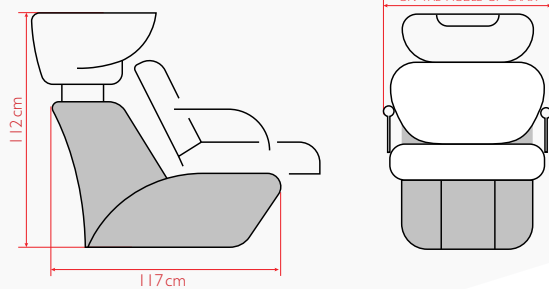
Backwash unit specification: deep sink JX-020 (white/black), deep tilt group, mixer tap unit.

DUSTY BACKWASH FRAME

The backwash frame is made of metal painted black.

Options:

1. Ceramic sink
 - medium (white)
 - deep (white/black)
 - deep standard (white/black)
2. Tilt group
3. Mixer tap unit



This backwash unit matches the following chairs:

Gloria, League, Inex, Kasatka, Nicole, Solo, Contact, Luna, Standard, Monika.



DUSTY LEAGUE



Backwash unit specification: deep sink JX-0331 (white/black), deep tilt group, mixer tap unit.

DUSTY NICOLE



Backwash unit specification: deep sink JX-020 (white/black), deep tilt group, mixer tap unit.

DUSTY INEX



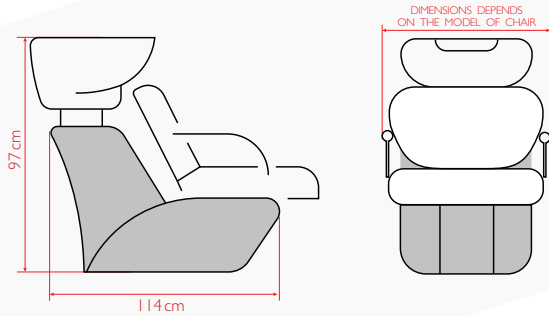
Backwash unit specification: deep sink JX-020 (white/black), deep tilt group, mixer tap unit.

SIBERIA BACKWASH FRAME

The backwash frame is made of metal painted black.

Options:

1. Ceramic sink
 - medium (white)
 - deep (white/black)
 - deep standard (white/black)
2. Tilt group
3. Mixer tap unit



This backwash unit matches the following chairs:
Gloria, Inex, Kasatka, League, Lira, Luna, Monika, Nicole, Smile Plus (with JX-020 sink), Solo, Standard.



SIBERIA SOLO



Backwash unit specification: deep sink JX-020 (white/black), deep tilt group, mixer tap unit.

SIBERIA LIRA



Backwash unit specification: deep sink JX-020 (white/black), deep tilt group, mixer tap unit.

SIBERIA LUNA



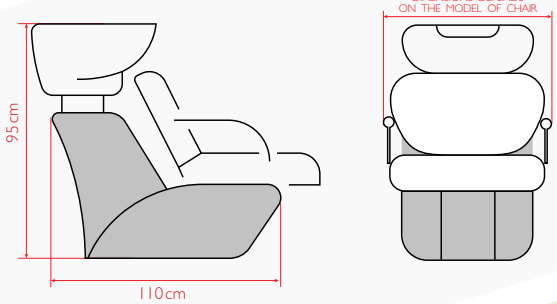
Backwash unit specification: deep sink JX-020 (white/black), deep tilt group, mixer tap unit.

ELENA BACKWASH FRAME

The backwash frame is made of metal painted black.

Options:

1. Ceramic sink
 - medium (white)
 - deep (white/black)
 - deep standard (white/black)
2. Tilt group
3. Mixer tap unit



This backwash unit matches the following chairs:
Solo, Gloria, Inex, Nicole, League, Smile Plus, Luna, Contact.



ELENA NICOLE



Backwash unit specification: deep sink JX-020 (white/black), deep tilt group, mixer tap unit.

ELENA CONTACT



Backwash unit specification: deep sink JX-020 (white/black), deep tilt group, mixer tap unit.

ELENA LEAGUE



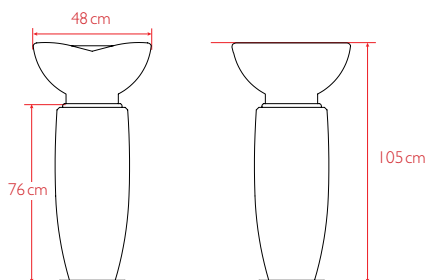
Backwash unit specification: deep sink JX-0331 (white/black), deep tilt group, mixer tap unit.

ECO



ECO backwash unit is a classic example of a multi-purpose stationary backwash unit, which assumes that customer's chair will be moved to it. The unit includes a stand-alone tube-like frame and a sink.

Unit specification: sink medium, Tilt group small, mixer tap unit.



SOLO

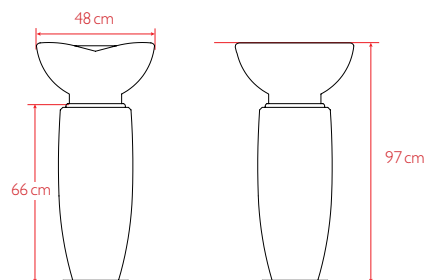


This elegant and comfortable SOLO backwash unit is a classic multi-purpose stationary backwash unit, which assumes that customer's chair will be moved to it.

Frame colours: black, grey.

Specification as pictured: sink medium, small tilt group, mixer tap unit.

Sink options: medium – white; deep – white, black; deep standard – white, black.





MIRRORS

**NEW BARBER**

The BARBER Collection includes a mirror and a workstation, which is a perfect combination of the loft-styled minimalism.

AMELIE NEW

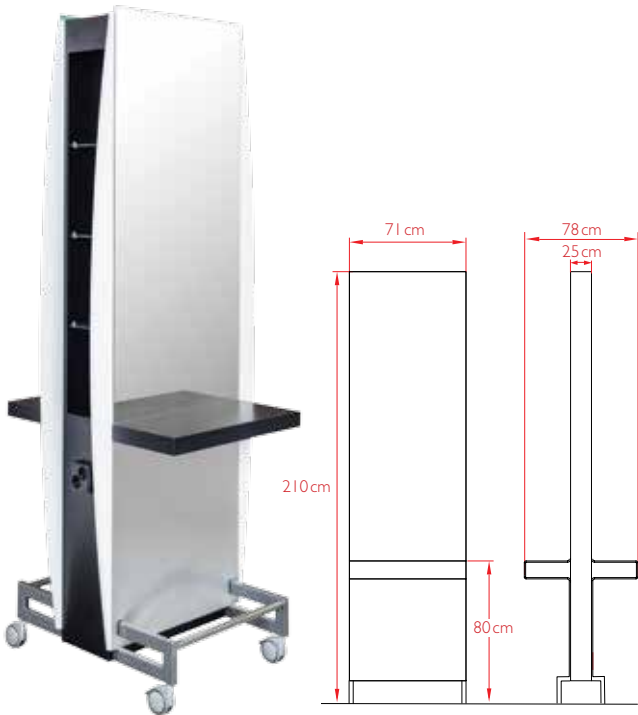
AMELIE workstation is the right hand of the hairdresser in their everyday work. It is notable for its elegant, yet sound structure.

**NEW ART**

Full-length hair salon mirror is a stylish option for modern beauty salons. ART mirror will brighten up your salon.



DUET 2 ELLIPSE



An elegant and functional double-sided workstation, DUET 2 Ellipse will be great for insular placing in beauty salons, training centres, offsite events and working places where it is not possible to mount the hair salon mirror onto the wall. The mirror construction is steady due to the steel frame and safe wheels with lock pins.

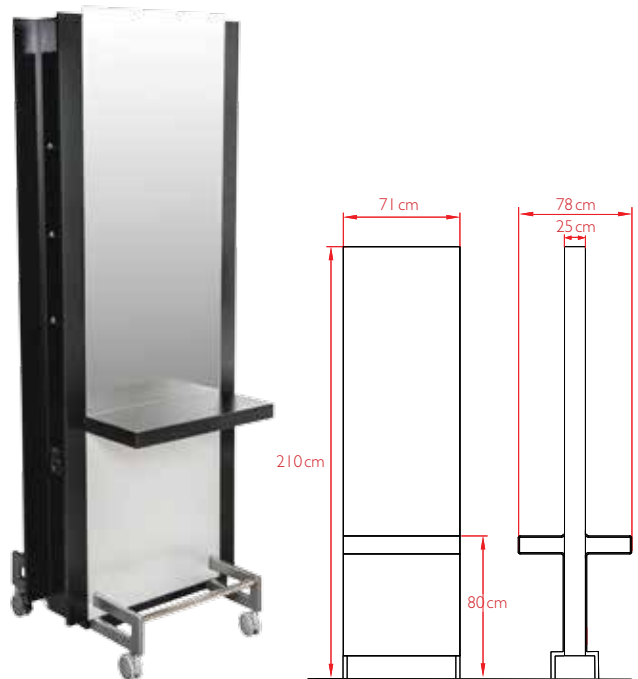
There are shelves in the pockets to store accessories and sockets to connect electrical fixtures.

Material: laminated chipboard.

Basic colour: any colour at customer's choice.



DUET 2



The functional double-sided DUET 2 workstation is suitable for small beauty salons and training centres.

DUET 2 is equipped with a gorgeous tabletop with a secure mounting. To ensure easy plugging in of the hair dryers, the sockets are located on the sides of the workstation. The mirror is equipped with noiseless wheels for easy cleaning and moving. Glass shelves to store the cosmetics are located between the mirrors. There is a footrest for your customer's comfort.

Material: laminated chipboard.

Basic colour: black.



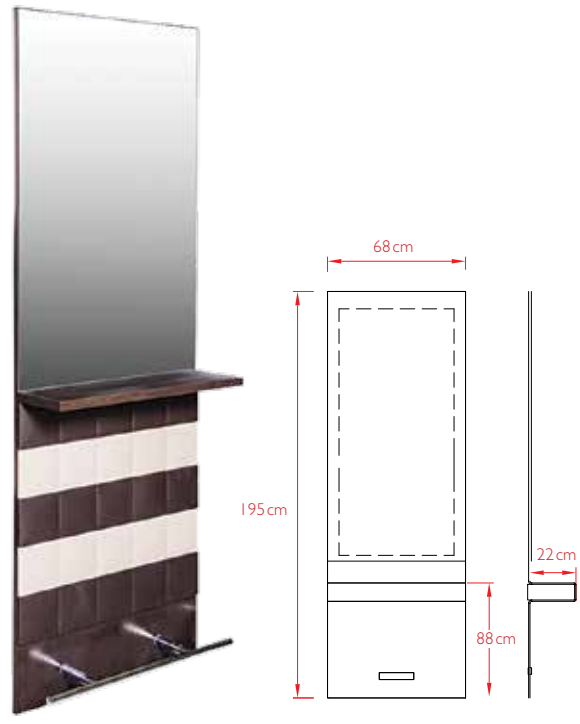
DOMINGO 2



This workstation combines the features of a cabinet and a workplace. The tabletop is made of silvery decorative laminate. The footrest and the mirror base are made of chrome-plated metal.

Material: laminated chipboard.
Basic colour: any colour at customer's choice.

LEGO



A single-sided hair salon mirror decorated with quilted faux leather. Supplied with a tabletop and a footrest.

This model is wall-mounted.
Basic colour: wenge/brown/ivory.

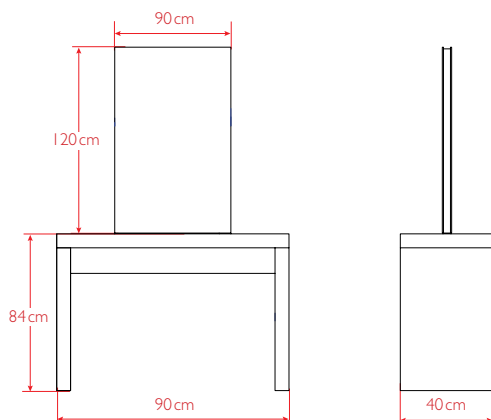


AMELIE
MIRROR/WORKSTATION



AMELIE workstation is the right hand of the hairdresser in their everyday work. It is notable for its elegant, yet sound structure. The mirror is equipped with luminescence LED lamps (10), which ensure unshaded and bright lighting of the face. This model is wall-mounted. The workstation is equipped with two drawers to store the accessories.

Basic colour of the mirror: white.
Basic colour of the workstation: white.

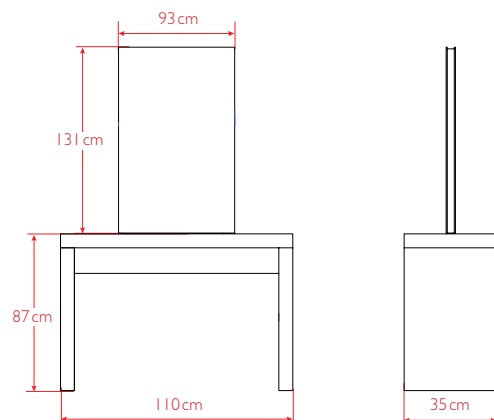


BARBER
MIRROR/WORKSTATION



The BARBER set includes a mirror and a workstation, which is a perfect combination of the loft-styled minimalism. The BARBER mirror is made of chipboard. This model is wall-mounted. The workstation can be used either together with the mirror or separately. The frame is made from metal. The work surface is made of chipboard.

Basic colour of the mirror: greyish-brown.
Basic colour of the workstation: greyish-brown.

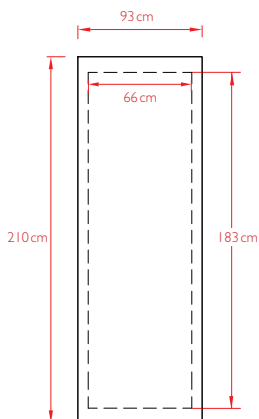


ART
MIRROR



This full-length hair salon mirror is a stylish option for modern beauty salons. ART will brighten up your salon. Thanks to the big plate-glass mirror, it will enlarge the room where it is installed. Frame is made from laminated chipboard. This model is wall-mounted.

Basic colour: oak sonoma

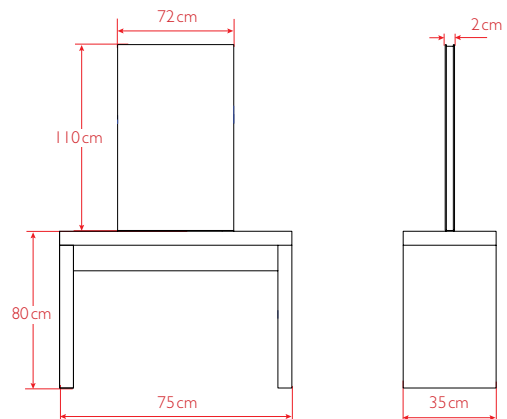


ECONOMY
MIRROR/WORKSTATION

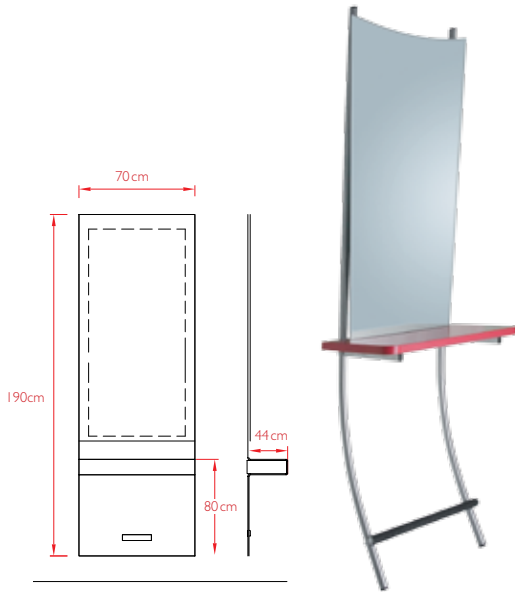


The ECONOMY set is a trendy and functional workstation for a stylist. A comfortable and ergonomic chrome-plated footrest will provide comfort to your customer. Each item is available for purchase separately.

Material: laminated chipboard.
Basic colour of the mirror: black.
Basic colour of the workstation: black.



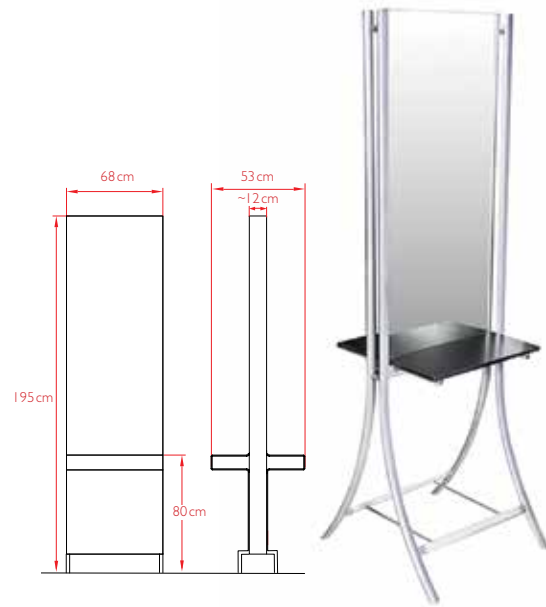
GALLERY 1



This mirror has a grey metal frame while the tabletop is made of laminated chipboard.

Basic colour: black (tabletop).

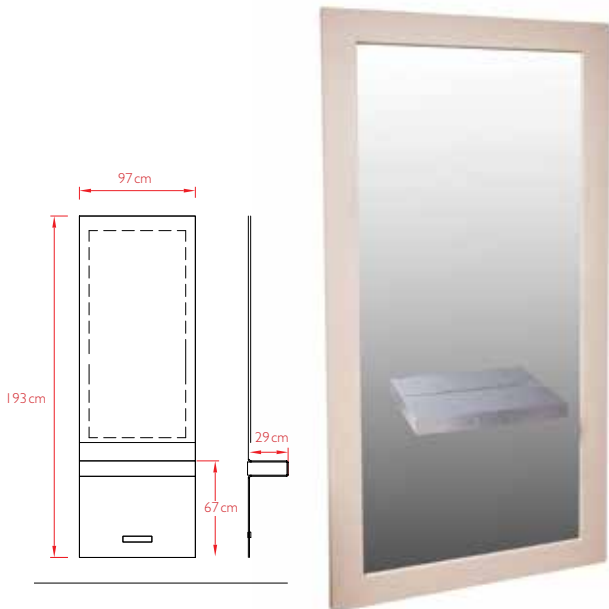
GALLERY 2



An elegant, lightsome, double-sided working table with grey metal frame. The tabletop is made of chipboard. It can be installed on wheels (optional).

Basic colour: black (tabletop).

DOMINO

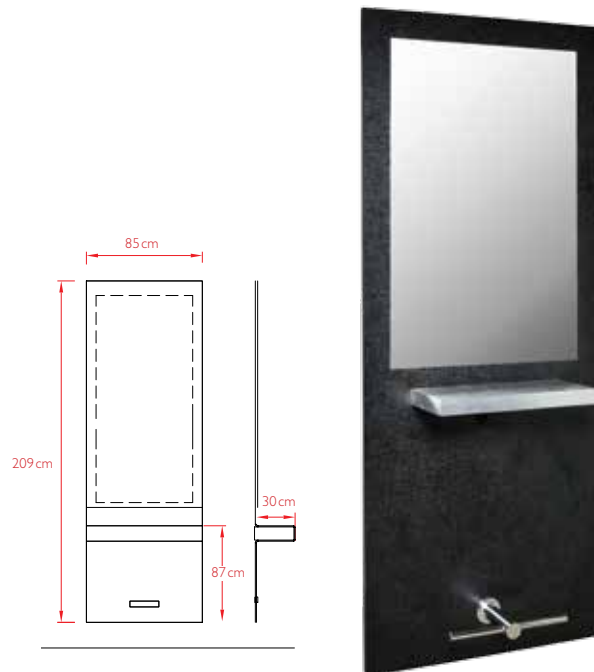


A single-sided mirror, the frame of which is covered with artificial leather. The tabletop is made of decorative silver laminate.

This model is wall-mounted.

Basic colour: any colour at customer's choice.

DOMINGO I



A single-sided mirror, the frame of which is made of laminated chipboard. The tabletop is made of decorative laminate. The specification includes an attached footrest. This model is wall-mounted.

Basic colour: Artex black /aluminium tabletop.

MOSAIC

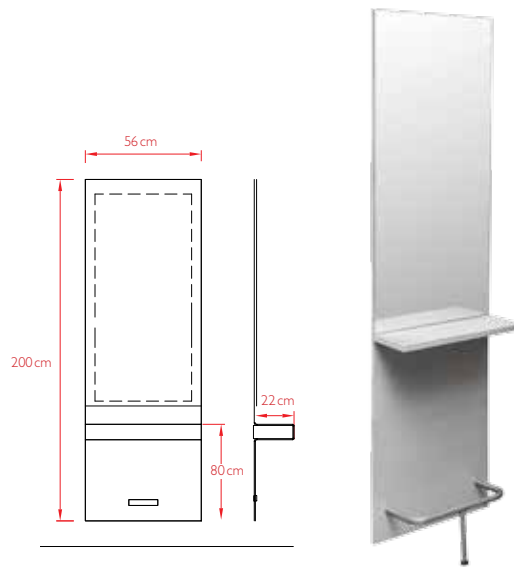


A lightsome mirror in a ceramic mosaic frame. This model is wall-mounted.

Basic colour: black.

Dimensions (DxWxH): 25x75x120 cm

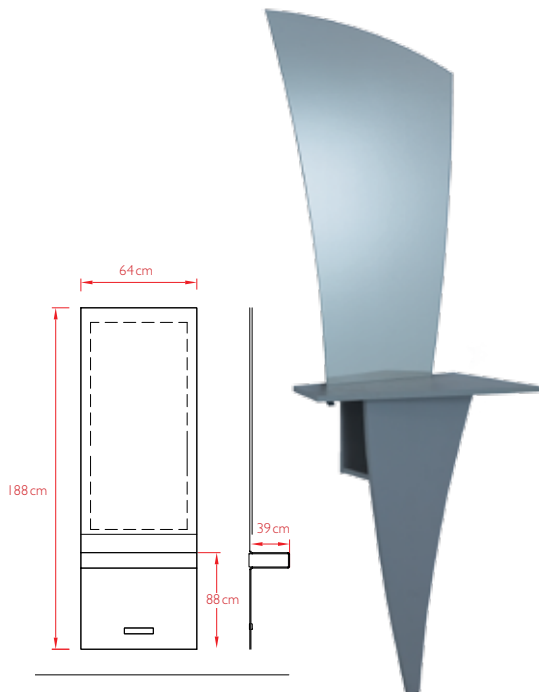
SLIM



The SLIM hair salon mirror is simple, yet elegant. This model is wall-mounted.

Basic colour: wenge, titanium, black.

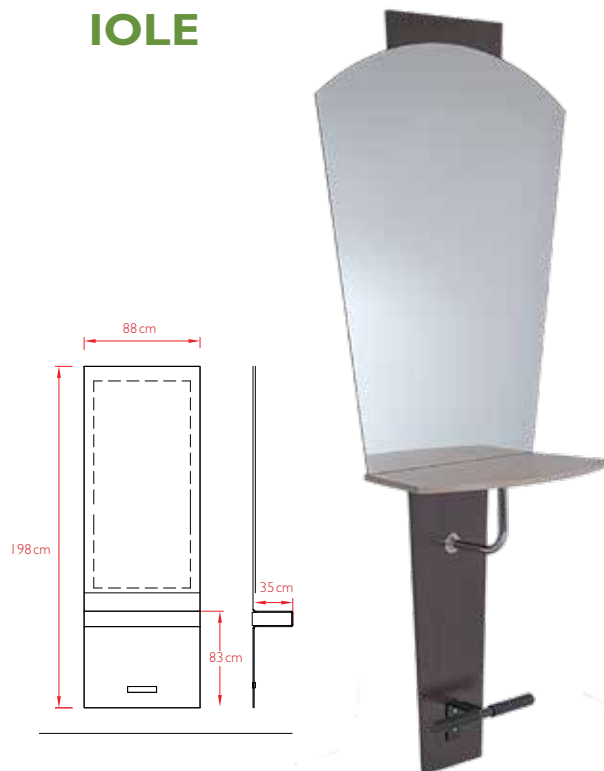
AGATE



Hair salon mirror, single-sided. This model is wall-mounted.

Material: laminated chipboard.
Basic colour: titanium, black.

IOLE



A single-sided mirror made of laminated chipboard. Complete with tabletop and attached footrest. This model is wall-mounted.

Material: laminated chipboard.
Basic colour: wenge/ bleached oak tabletop, black.



BARBER COLLECTION

Today, shaving in a parlour and hairdressing services for men are highly popular. The BARBER collection is designed for real men who prefer simplicity and functionality. The idea of the collection was influenced by styles like minimalism and LOFT. The combination of metal and texture chipboards painted in noble colours give the collection a touch of masculinity.



NEW BARBER MIRROR

This barber mirror is simple and peculiar. The frame is made of chipboard. This model is wall-mounted.

Dimensions (WxH): 93x131 cm

NEW BARBER TABLE

An unusual metal-framed coffee table. The tabletop is made of chipboard.

Dimensions (LxWxH): 50x45x49 cm



BARBER WORKSTATION

NEW

This workstation is a perfect combination of minimalism and LOFT. It can be used either in combination with the mirror or separately as a table or a stand for tools and accessories. The frame is made from metal. The work surface is made of chipboard.

Dimensions (LxWxH): 110x35x87 cm

BARBER TROLLEY

NEW

The Barber movable metal-framed trolley for professional use is steady and reliable. It is equipped with three chipboard shelves and wheels with stoppers.

Dimensions (WxH): 34-37x86 cm



DIESEL

Professional chair for barbershops has a classy design and perfect functionality for a wide range of services in a men's salon.

The model has a reinforced metal frame ensuring reliable operation under high load conditions.

DIESEL man's chair has a height-adjustable detachable headrest. The backrest is adjusted by a lever located conveniently at hand.

Basic colour: black

Inside measurements of the seat (WxD): 57x54 cm

Dimensions (LxWxH): 88-142x72x115 cm



BARBER STATION HARLEY

Harley's workshop is ideal for barbershop due to the combination of simple shapes and functionality:

- the optimal size for the master in the men's room
- open shelves for storage of styling and care products
- cabinets for storing tools and necessary accessories
- built-in sink for a more comfortable haircut and shaving procedures



Material: laminated chipboard /
table top plastic
Base colors: pine 1401
Size (LxWxH): 150x40x200 cm



STOOLS

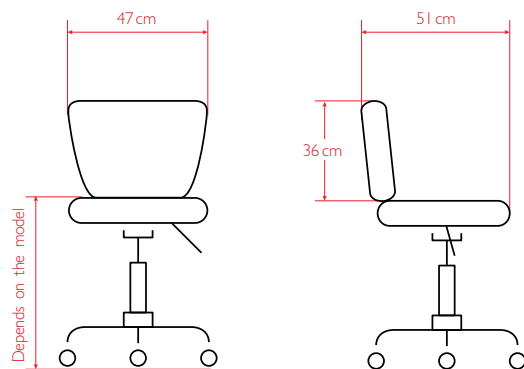
C-12

A comfortable stool, C-12 has a classic square outline and pneumatic height adjustment. Solid frame from moulded plywood and highly elastic furniture foam make this chair totally cosy and durable.

Its high-cushioned backrest slips into a deep anatomic seat. Decorative stitching and tightening add singularity to this model.

This chair will create a classy and modern interior of a nail bar or nail bar and pedi lounge.

Inside measurements of the seat: (WxD) 46x40 cm

**C-12h HIGH**

Stool C-12h – high.
Basic colour: black.
Range of height adjustment (min-max): 58-77 cm

**C-12m FOR MANICURE**

Stool C-12m for manicure.
Basic colour: white, ivory, black.
Range of height adjustment (min-max): 44-57 cm

C-12p FOR PEDICURE

Stool C-12p for pedicure.
Basic colour: black.
Range of height adjustment (min-max): 32-40 cm

SENIOR



A classic chair with a pneumatic height adjustment on a five-star wheeled chair base.
Specification: low seat post/five-star wheeled chair base.

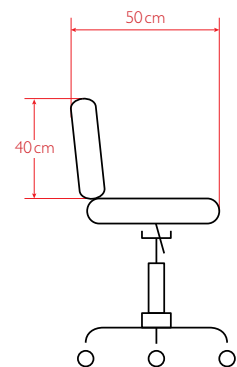
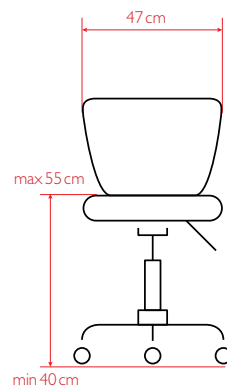
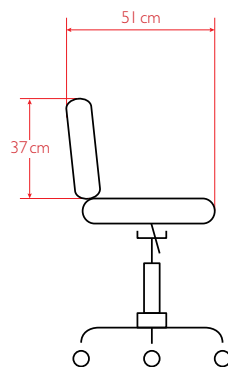
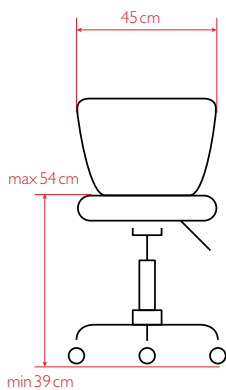
Basic colour: white, brown, ivory, black.
Inside measurements of the seat (WxD): 46x50 cm

SENIOR PLUS



A classic chair with pneumatic height adjustment on a chrome-plated five-star wheeled chair base.
Specification: low seat post/five-star wheeled chair base.

Basic colour: white, brown, red, ivory, black.
Inside measurements of the seat (WxD): 46x50 cm



C-7



A classic chair with a pneumatic height adjustment.

Unit specification:

- high chair – chrome-plated five-star with a footrest.
- low chair – chrome-plated five-star.

Basic colour (high chair): white, ivory, black.

Basic colour (low chair): white, ivory, black.

Inside measurements of the seat (WxD): 35x35 cm

PRIZMA



A backless chair with pneumatic height adjustment.

Unit specification:

- high chair – chrome-plated five-star with a footrest.
- low chair – chrome-plated five-star.

Basic colour (high chair): white, brown, ivory, black.

Basic colour (low chair): white, ivory, black.

Inside measurements of the seat (WxD): 35x35 cm

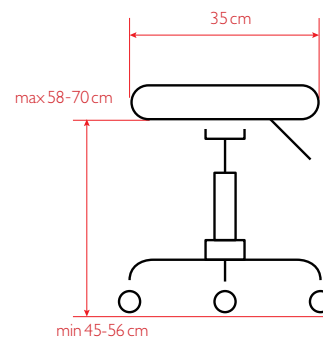
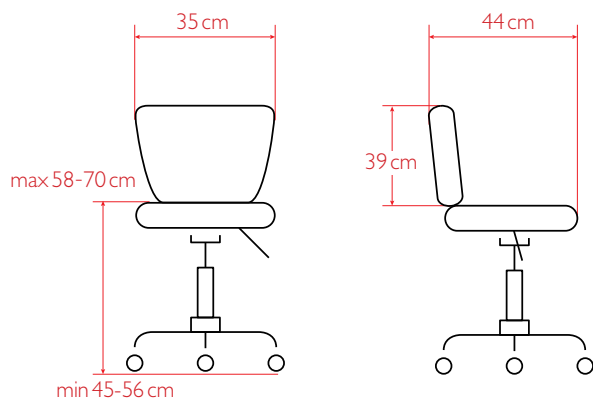


A backless chair with pneumatic height adjustment on a plastic five-star.

Basic colour: white, ivory, black.

Inside measurements of the seat (WxD): 35x35 cm

PRIZMA ECO | NEW



C-10



A simple and neat chair with pneumatic height adjustment.

Unit specification:

- high chair – chrome-plated five-star with a footrest.
- low chair – chrome-plated five-star.

Basic colour (high chair): white, ivory, black.

Basic colour (low chair): white, ivory.

Inside measurements of the seat (WxD): 36x36 cm

C-11



Classic chair with pneumatic height adjustment.

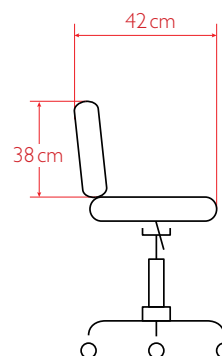
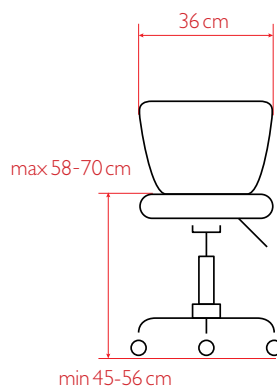
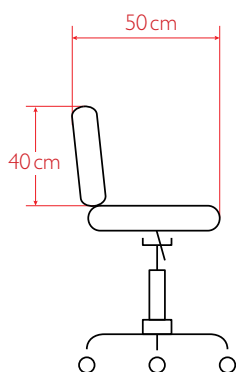
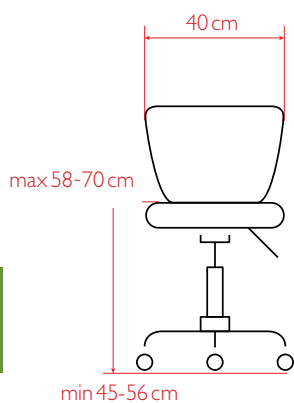
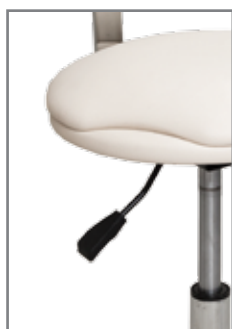
Unit specification:

- high chair – chrome-plated five-star with a footrest.
- low chair – chrome-plated five-star.

Basic colour (high chair): white, black.

Basic colour (low chair): white, brown, ivory, black.

Inside measurements of the seat (WxD): 36x36 cm



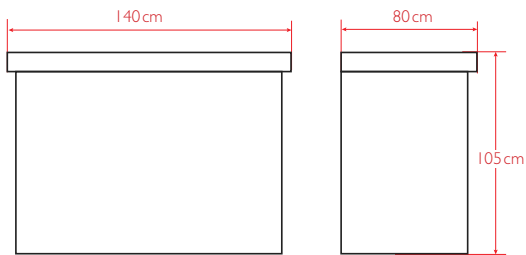


RECEPTION DESKS

AVERSUS



This illuminated reception desk is made of laminated chipboard, the fronts material is plastic and white Plexiglas. The workstation is completed with a drawer unit and a keyboard tray.
Basic colour: any colour at customer's choice.

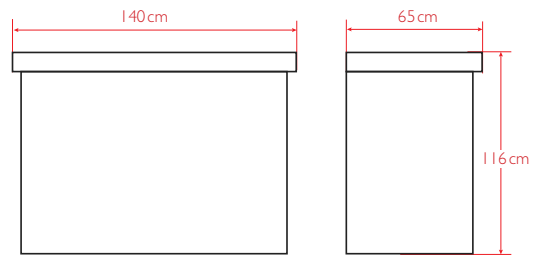


FUCHSIA



A rectangular reception desk with semi-circular elements. Made of laminated chipboard, the front is covered with faux leather.

Basic colour: bleached oak/brown front.

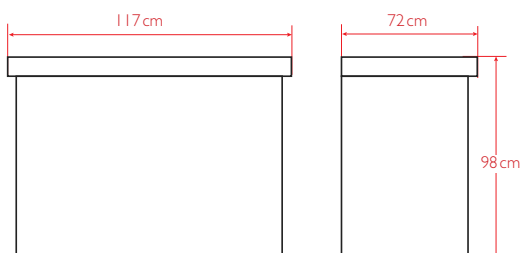


VERONA



A reception desk made of laminated chipboard, fronts covered with plastic.

Basic colour: wenge/wenge front.

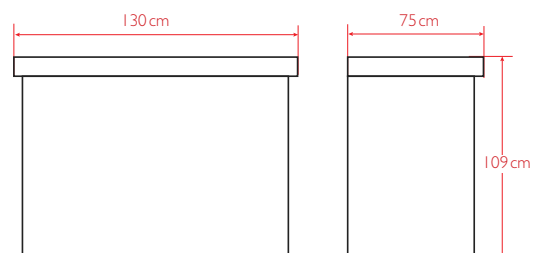


VISION



A reception desk made of laminated chipboard, fronts covered with plastic.

Basic colour: wenge/bleached oak front, black/white front.

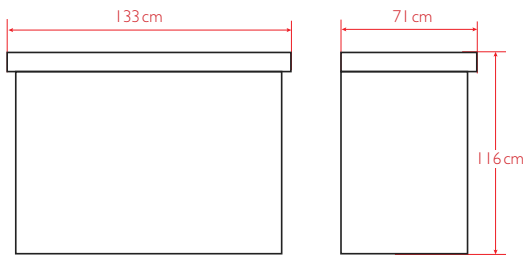


LEGO



This elegant and functional reception desk perfectly fits any interior of a beauty salon. Completed with a lockable drawer unit. Body – chipboard, fronts – faux leather.

Basic colour: wenge/ivory.

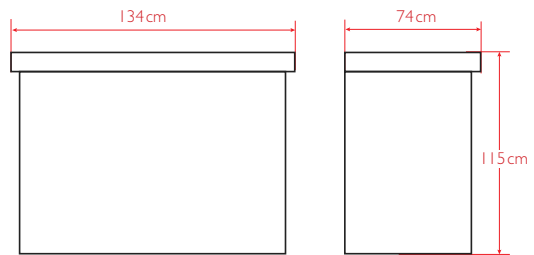


DIALOGUE



A reception desk made of laminated chipboard. Completed with a drawer unit and a system unit shelf.

Basic colour: wenge/white flowers.

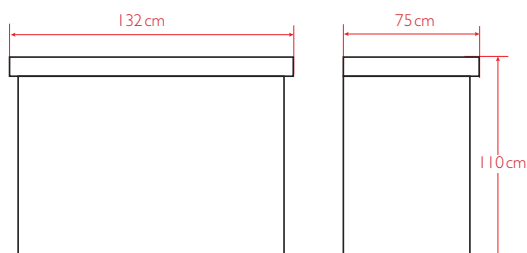


FORTE



A reception desk made of laminated chipboard.

Basic colour: any colour at customer's choice.

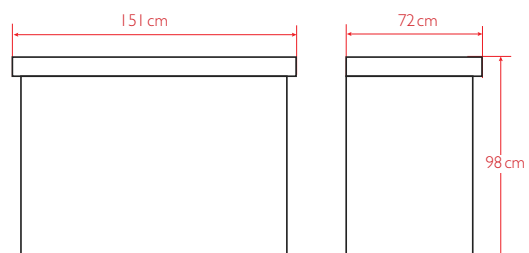


HAVANNA



A reception desk made of laminated chipboard, with two drawer units.

Basic colour: wenge/bleached oak front.





WAITING AREA FURNITURE

DIALOG MODULAR SYSTEM



MODULAR SYSTEM DIALOG

The waiting area for customers is composed of modules (sofas and backed pouffe);
The set is custom-made in a wide colour range.

Backed pouf DM1

Dimensions (LxWxH): 60x60x80 cm

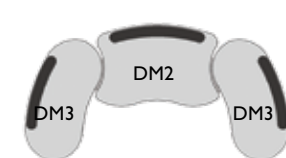
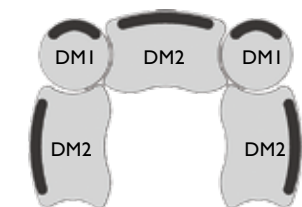
Sofa DM2

Dimensions (LxWxH): 100x50x80 cm

Sofa DM3

Dimensions (LxWxH): 120x50x80 cm

Options:



LEGO SOFA



This stylish LEGO SOFA adorns the waiting area of a salon allowing the customers to relax while waiting for a specialist.

Basic colour: brown/ivory sides.

Inside measurements of the seat (WxD): 108x47 cm
Dimensions (LxWxH): 134x74x75 cm

OSTER



A space-efficient three-seat waiting area sofa.

Basic colour: black.

Inside measurements of the seat (WxD): 152x39 cm
Dimensions (LxWxH): 152x43x73 cm

LEGO CHAIR



This stylish LEGO chair adorns the waiting area of a salon allowing the customers to relax while waiting for a specialist.

Basic colour: brown/ivory sides.

Inside measurements of the seat (WxD): 54x47 cm
Dimensions (LxWxH): 80x74x75 cm

STELLA PLUS



A waiting area sofa on cabriole chrome legs.
Made of faux leather.

Basic colour: any colour at customer's choice.
Inside measurements of the seat (WxD): 130x59 cm
Dimensions (LxWxH): 130x66x77 cm

RENEE PLUS



A table for waiting area made of faux leather, with a plastic tabletop and metal chrome-plates legs.

Basic colour: any colour at customer's choice.
Dimensions (LxWxH): 65x65x45 cm

CONTACT



A waiting area chair on a chrome-plated frame.
Basic colour: ivory, white, brown, black.
Inside measurements of the seat (WxD): 49x42 cm
Dimensions (LxWxH): 54x59x83cm

TECNO



A table for waiting area made of faux leather, with a glass tabletop and metal chrome-plates legs.

Basic colour: any colour at customer's choice.
Dimensions (LxWxH): 70x70x44 cm

STREET

NEW



This small coffee table is perfect for any waiting area. It has a metal frame and a chipboard tabletop.

Basic colour: black
Dimensions (LxWxH): 50x45x48 cm

POUFFE



This waiting area pouffe is perfect for small rooms. It can fit any design project.

Basic colour: any colour at customer's choice.
Dimensions (LxWxH): 45x45x45 cm

STREET



A street bench made in super fashionable LOFT style for the waiting area.

Basic colour: black
Dimensions (LxWxH): 155x46x47 cm



LABORATORIES / CABINETS

STANDARD LABORATORY MODULAR SYSTEM

The modular system allows high customization upon customers request. Labs are available upon request in a variety of colours.

The laboratory pictures are composed of modules 6+4+2 with a sink and a mixer tap in module 6.

The case and fronts are made of laminated chipboard; the tabletop is made of plastic.

The dimensions of all modules are standard (LxDxH):
50x60x200 cm



№1



№2



№3



№4



№5



№6

Z MODULAR SYSTEM

Z Laboratory has a unique design. The combination of chrome elements and plastic looks perfect in salon interior and is functional in use.

The labs are available upon request in a variety of colours. The laboratory pictured is completed with a sink and a mixer tap.

The fronts of cabinets and tabletops are finished with plastic.

The case is made of chipboard.

Dimensions (LxDxH): 50x60x200 cm



No 1



No 2



No 3



No 4



No 5



No 6

MODULAR SYSTEM

The modular system makes cabinets highly customizable. The cabinet with glass doors is perfect for storage of products in manicure, pedicure and cosmetology parlours. Open cabinets may be used as shelving units and display stands. Closed cabinets are used for storage of staff's and customers' belongings. The cabinets are custom-made in a wide range of colours. Module options are presented below.

Module dimensions (LxDxH): 45x40x200 cm



Shelving unit

Cabinet №2

Cabinet №3

Cabinet №4



№ 1.1



№ 2.1



№ 3.1



№ 4.1



№ 1.2



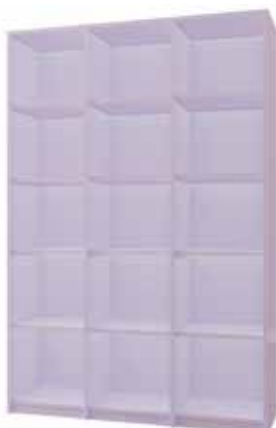
№ 2.2



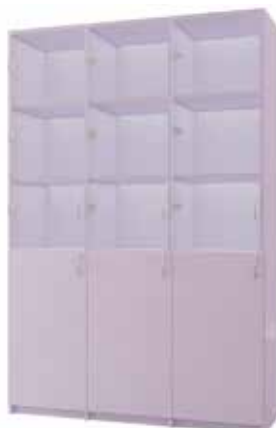
№ 3.2



№ 4.2



№ 1.3



№ 2.3



№ 3.3



№ 4.3



MANICURE EQUIPMENT

NEW UNO

A classic manicure table made of laminated chipboard completed with a drawer unit.

DUO NEW

This multi-functional manicure table DUO is designed for simultaneous work of two specialists.



CHARM

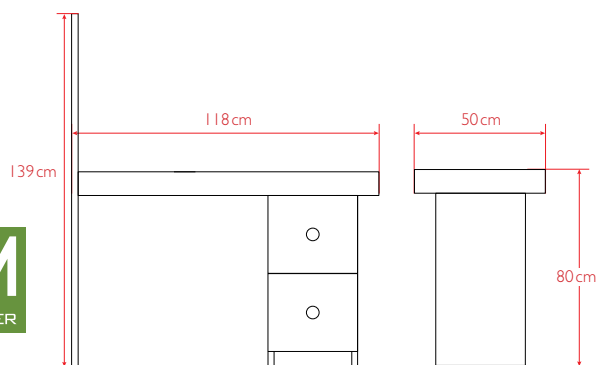


A modern and comfortable manicure table, CHARM is equipped with a convenient lighted stand for nail polishes. Special stoppers on shelves prevent falling of nail polishes. The drawer unit has three pull-out drawers. The lower drawer is perfect for storage of high bottles. The table is additionally equipped with a triple socket and a power extender.

Options:

- with a vent,
- without a vent.

Basic colour: white.



CLASSIC-I



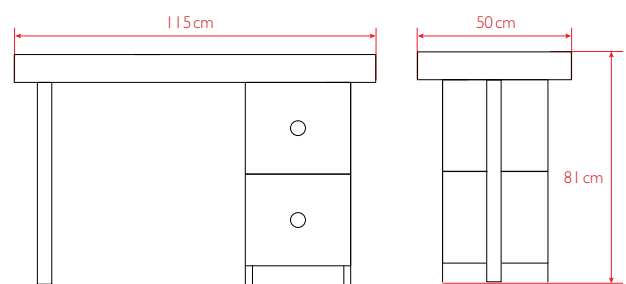
A classic nail table of laminated chipboard with a square leg and a drawer unit.

The drawer unit has three pull-out drawers. The lower drawer is perfect for storage of high bottle

Options:

- with a vent,
- without a vent.

Basic colour: white.



UNO



A classic manicure table made of laminated chipboard completed with a drawer unit.

The drawer unit has a shelf and three pull-out drawers.

Options:

- with a vent,
- without a vent.

Basic colour: white.

DUO



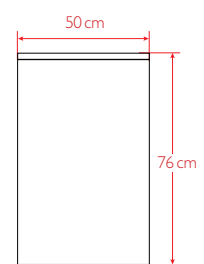
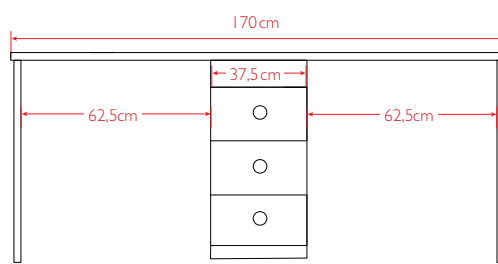
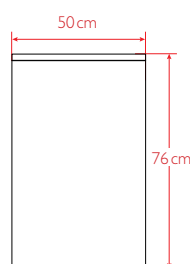
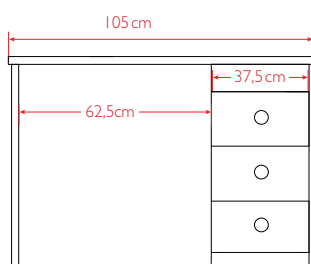
This multi-functional manicure table DUO is designed for simultaneous work of two specialists.

The table has a drawer unit in the middle, where all needed tools can be stored. The drawer unit has a shelf and three pull-out drawers.

Options:

- with a vent,
- without a vent.

Basic colour: white.



ESTI WITH I DRAWER UNIT



A nail table with one drawer unit made of laminated chipboard.

This wheeled drawer unit has pull-out drawers.

Options:

- with a vent,
- without a vent.

Basic colour: white, white flowers, bleached oak.
Dimensions (LxWxH): 105x50x75 cm

ESTI WITH II DRAWER UNIT



A nail table with two drawer units made of laminated chipboard.

One drawer unit has four pull-out drawers, the second drawer unit has a door.

Options:

- with a vent,
- without a vent.

Basic colour: white, white flowers.
Dimensions (LxWxH): 125x50x77 cm

BRIDGE



A nail table with a drawer unit made of laminated chipboard.

Options:

- with a vent,
- without a vent.

Basic colour: white, black.
Dimensions (LxWxH): 120x45x74 cm

ARM REST PILLOWS FOR MANICURE TABLES



Allows a customer to position their hands conveniently during manicure.

Basic colour: white, ivory, black.
Available in any colour upon customer's request.

Dimensions (length): 46 cm, 35 cm

CATHERINE



A nail table with one drawer unit made of laminated chipboard.

Options:

- with a vent,
- without a vent.

Basic colour: white, wenge, bleached oak, titanium, black.

Dimensions (LxWxH): 118x60x75 cm

LEX



A nail table with a stand for nail polishes made of laminated chipboard.

Options:

- with a drawer unit,
- without a drawer unit.

Basic colour of the Manicure table: white, bleached oak, wenge, black.

Dimensions of the table (LxWxH): 100x45x75 cm

Dimensions of the table with shelves (LxWxH): 100x45x110 cm

Basic colour of the drawer unit: white, bleached oak, wenge, black.

Dimensions of the drawer unit (LxWxH): 50x30x73 cm

BUILT-IN VENT



High-power. Quiet. Easy-to-use.

A high-power fan with 160 m³/h capacity. Provides quiet operation. Noise level of the model is only 44dB.

The switch can be installed in any place under the table.

Secure fastening to the manicure table.

Dust bag is closed thanks to new fastening.

The filter has a tight connection, which protects specialist's and customer's knees from dust.

Features:

- Voltage: 220/50 Hz
- Fan rotation speed: 2,750rpm
- Square installation opening in the table, 12x12 cm
- Bottom dimensions (LxWxH): 27x27x10 cm
- Top dimensions (LxWxH): 19x19x10 cm.



PEDICURE EQUIPMENT

HERMES 3

A very comfortable cross-functional pedicure chair with three electric adjustments:

- Chair height, chair angle (50° relative to the floor) and backrest lifting angle adjustment (75°) – electric motor. Adjusted by remote control.

- Foot part adjustment (by height and length) and headrest adjustment – mechanics.
- Rotates 180°.
- Can be laid flat.
- Equipped with memory foam mattress, pull-down armrests.



Basic colour: black.
 Dimensions (LxV): 175x73 cm
 Inside measurements of the seat (WxD): 59x49 cm
 Range of height adjustment (min-max): 65x91 cm

MAXIMUM LOAD			3 ELECTRIC MOTORS
MECHANICAL ADJUSTMENT			REMOTE CONTROL



PROFI I



A modern pedicure chair with a single electric motor.

- Chair height adjustment – electric motor. Adjusted by remote control.
- Chair angle (25° relative to the floor), seat back angle (75°), footrest lifting angle (90°), headrest adjustment – mechanics.
- Rotates 360°.
- Can be laid flat.
- Equipped with memory foam mattress, pulldown armrests and headrest without a face hole.

Basic colour: brown, white.

Dimensions (LxWxH): 195x84x140 cm

Inside measurements of the seat (WxD): 60x50 cm

Range of height adjustment (min-max): 70x93 cm



PROFI 3



A very comfortable cross-functional pedicure chair with three electric adjustments:

- Chair height, chair angle and backrest lifting angle adjustment – electric motor. Adjusted by REMOTE CONTROL.
- Foot part adjustment (by height and length) and headrest adjustment – mechanics.
- Rotates 360°.
- Can be laid flat.
- Equipped with memory foam mattress, pulldown armrests and headrest without a face hole.

Basic colour: grey, brown, white.

Dimensions (LxW): 198x82 cm

Inside measurements of the seat (WxD): 60x50 cm

Range of height adjustment (min-max): 65x95 cm



MAXIMUM
LOAD



1 ELECTRIC
MOTOR

MECHANICAL
ADJUSTMENT



REMOTE
CONTROL

MAXIMUM
LOAD



3 ELECTRIC
MOTORS

MECHANICAL
ADJUSTMENT



REMOTE
CONTROL

ELITE

Elite pedicure chair will be fully appraised by professionals.

- Chair height adjustment – electric motor. Adjusted by remote control.
- Chair angle (20° relative to the floor), seat back angle (80°), footrests – mechanics.
- Separate footrests, adjusted for height and length. Can be extended to sides, making room for the footsie bath.
- Can be laid flat.
- Equipped with pulldown armrests and detachable headrest without a face hole.



Basic colour: white, ivory, black.
 Dimensions (LxVxH): 185x75x130 cm
 Inside measurements of the seat (WxD): 60x50 cm
 Range of height adjustment (min-max): 61x88 cm

MAXIMUM LOAD  |  ELECTRIC MOTOR

MECHANICAL ADJUSTMENT  |  REMOTE CONTROL



SATURN

A comfortable classic pedicure chair.

- Height adjustment – hydraulics.
- Chair angle adjustment, footrest angle adjustment – mechanics.
- Footrests have a 'floating' support of the calf muscle and can be extended to sides depending on the customer's height.



Basic colour: black, ivory.
 Dimensions (LxVxH): 120x66x130 cm
 Inside measurements of the seat (VxD): 50x45 cm
 Range of height adjustment (min-max): 60x74 cm

MAXIMUM LOAD



HYDRAULIC LIFT

MECHANICAL
ADJUSTMENT



ECONOMY OPTION



PK-03

A classic pedicure chair with white metal frame.

- Seat angle adjustment – hydraulics.
- Backrest angle adjustment, footrest adjustment (for height and length) – mechanics.
- Can be laid flat.
- Equipped with memory foam mattress, raising and removable arms.



Basic colour: white, ivory, black.
 Dimensions (LxWxH): 170x75x129 cm
 Inside measurements of the seat (WxD): 60x42 cm

MAXIMUM LOAD			HYDRAULIC LIFT
MECHANICAL ADJUSTMENT			ECONOMY OPTION



PK-012

A metal-framed classic stationary pedicure chair.

- Backrest angle adjustment, footrest adjustment (for height and length) – mechanics.
- Can be laid flat.
- Equipped with memory foam mattress, arms.



Basic colour: white, ivory, black.
 Dimensions (LxVxH): 185x82x131 cm
 Inside measurements of the seat (WxD): 64x48 cm

MAXIMUM LOAD			STATIONARY CHAIR
MECHANICAL ADJUSTMENT			ECONOMY OPTION



PK-01 PLUS

Metal-framed chrome-plated classic stationary pedicure chair.

- Backrest angle adjustment, footrest adjustment – mechanics.
- Can be laid flat.
- Equipped with memory foam mattress, arms.



Basic colour: white, ivory, black.
 Dimensions (LxW): 155x72 cm
 Inside measurements of the seat (WxD): 57x47 cm

MAXIMUM LOAD			STATIONARY CHAIR
MECHANICAL ADJUSTMENT			ECONOMY OPTION



PK-01



A classic white metal-framed stationary pedicure chair.

- Backrest angle adjustment, footrest adjustment – mechanics.
- Can be laid flat.
- Equipped with removable arms.

Basic colour: white, ivory, black.

Dimensions (LxW): 155x72 cm

Inside measurements of the seat (WxD): 57x47 cm



SPA CHAIR COMFORT

NEW



The COMFORT SPA-pedicure chair is comfortable for both the specialist and the customer, who can fully relax on its soft cushions.

This pedicure chair is equipped with a pull-out drawer with a plastic bottom to store a footsie bath. The bottom ensures reliable and long life of the product when working with water. No water connection required.

The footrest is adjusted for height and inclination angle.

Basic colour: black.

Dimensions (LxVxH): 90-140x70x86 cm

Area for footsie bath (VxD): 38x50 cm

Inside measurements of the seat (WxD): 50x68 cm



MAXIMUM LOAD



STATIONARY CHAIR

MECHANICAL ADJUSTMENT



ECONOMY OPTION

MAXIMUM LOAD



STATIONARY CHAIR

MECHANICAL ADJUSTMENT



NO ASSEMBLY REQUIRED

NADIR 2



A stationary metal-framed chrome-plated pedicure chair with pneumatic height adjustment and rolling mechanism. The footrest can be adjusted for height and is extendable.

Basic colour: brown, red, ivory, black.
 Inside measurements of the seat (WxD): 54x47 cm
 Dimensions (LxWxH): 123x60x50-63 cm
 Range of height adjustment of the chair (min-max): 126-140 cm

NADIR



A classic pedicure chair with pneumatic height adjustment and rolling mechanism. Feature: chrome-plated five-star base.

Basic colour: ivory, black.
 Inside measurements of the seat (WxD): 50x48 cm
 Dimensions (WxD): 66x58 cm
 Range of height adjustment of the chair (min-max): 126-140 cm

STAND FOR FOOT BATH



Dimensions (LxWxH):
 40x42x15 cm

STAND FOR FEET AND FOOT BATH



Dimensions (LxWxH):
 40x42x56-82 cm
 Basic colour: white, brown, ivory, black.

3-BEAM FOOTREST



Dimensions (LxWxH): 40x30x56-82 cm
 Basic colour: white, brown, ivory, black.

4-BEAM FOOTREST



Dimensions (LxWxH): 42x42x56-82 cm
 Basic colour: white, brown, ivory, black.



MASSAGE EQUIPMENT

RELAX 2 / RELAX 3

A multifunctional table for different types of massage and beauty treatments. This stylish couch with the wooden base will perfectly match the interior of a beauty parlour or a SPA centre, creating cosy and eco-friendly vibe in the room.

Two options are available:

- Relax 2 is equipped with two electric motors for adjustment of the couch height and footrest position. Backrest is adjusted by a gaslift.
- Relax 3 is equipped with three electric motors, adjusting the height of the couch, footrest and backrest.

Certificate of validation of a medical product
No. RZN 2018/7566 issued on 31-08-2018 is available.



Basic colour: mattress - chocolate/base - beech, mattress - cream/base - wenge. Mattress can be custom-made in any colour (base colour - beech or wenge).
Dimensions (LxWxH): 205x74x57-82 cm

MAXIMUM LOAD  140 kg

 2-3 ELECTRIC MOTORS

MECHANICAL ADJUSTMENT   REMOTE CONTROL



KSM-3007-1 / KSM-3007-2

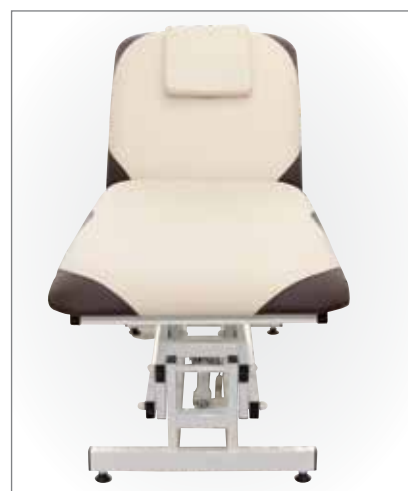
A multifunctional massage table.

There are two design options:

- KSM-3007-1 is equipped with an electric motor for table height adjustment. Backrest angle is adjusted mechanically.
- KSM-3007-2 is equipped with two electric motors for table height and backrest angle adjustment.

During sessions in 'pick aback' positions, the face hole can be closed with a pillow.

Certificate of validation of a medical product No. RZN 2018/7566 issued on 31-08-2018 is available.



Basic colour: ivory/brown sides.

Dimensions (LxWxH): 195x72x46-79 cm

MAXIMUM LOAD			1-2 ELECTRIC MOTORS
MECHANICAL ADJUSTMENT			REMOTE CONTROL



APHRODITE

The table is designed for SPA-treatments and different types of massage.

The table base is made of natural hard wood;

its comfortable mattress has a face hole.

The backrest angle is adjusted mechanically.

The table is equipped with sheets and towels rail.



MAXIMUM LOAD



STATIONARY TABLE



MECHANICAL ADJUSTMENT



ECO-FRIENDLY



Basic colour: ivory/frame wenge.

Dimensions (LxWxH): 190x71x80 cm

KK-04e

A cross-functional table with one electric motor.
Suitable for facial treatments and massages.

- Table height adjustment – electric motor. Adjusted by remote control.
- Backrest angle adjustment – pneumatics.
- Footrest angle adjustment – mechanics.
- Can be laid flat.
- Equipped with pulldown armrests and detachable headrest without a face hole.

Certificate of validation of a medical product
No. RZN 2018/7566 issued on 31-08-2018 is available.



Basic colour: white, ivory.
Dimensions (LxVxH): 200x62x65-85 cm

MAXIMUM LOAD			ELECTRIC MOTOR
MECHANICAL ADJUSTMENT			REMOTE CONTROL



KSM-608A



A stationary metal-framed chrome-plate massage table with face hole.
Mechanical adjustment of backrest.
Certificate of validation of a medical product No. RZN 2017/5682 issued on 20-04-2017 is available.

Basic colour: white, ivory.
Dimensions (LxWxH): 195x67x73 cm

KM-01



A stationary white-coloured metal-framed massage table with face hole.
Mechanical adjustment of backrest.

Basic colour: white, ivory.
Dimensions (LxWxH): 200x70x70 cm

FOLDING SCREEN



A folding screen is a white metal-framed partition with guides.
Two-section and three-section folding screens are available upon request.

Basic colour: white.
Dimensions (LxH): two-section — 174x178 cm,
three-section — 258x178 cm

KM-02



A stationary white-coloured metal-framed massage table. It has a face hole and height adjustable arms.

Basic colour: white, ivory.
Dimensions (LxWxH): 186x60x56-74 cm

ROLLER CUSHION



Roller cushion for massage.
Certificate of validation of a medical product No. RZN 2017/5682 issued on 20-04-2017 is available.

Basic colour: white, ivory.
Dimensions (LxW): 48x15 cm



COSMETOLOGY EQUIPMENT

AFINA 4

Cross-functional bed for facial treatments and massages with four electric adjustments.

- Chair height, chair angle (50° relative to the floor), backrest lifting angle adjustment (75°) and footrest angle adjustment (70°) – electric motor. Adjusted by remote control.
- Headrest adjustment – mechanics.
- Rotates 180°.
- Can be laid flat.
- Equipped with memory foam mattress, pull-down armrests.



Basic colour: black.
 Dimensions (LxW): 180x73 cm
 Inside measurements of the seat (WxD): 59x49 cm
 Range of height adjustment (min-max): 65x91 cm

MAXIMUM LOAD			4ELECTRIC MOTORS
MECHANICAL ADJUSTMENT			REMOTE CONTROL



PREMIUM 4

Chair for facial treatments.

- Bed height adjustment, bed angle (25° relative to the floor), seat back angle (75°), footrest angle adjustment (65°) – electric motor. Adjusted by remote control.
- Headrest adjustment – mechanics.
- Can be laid flat.
- Equipped with memory foam mattress, removable arms and headrest without a face hole.

Certificate of validation of a medical product
No. RZN 2018/7566 issued on 31-08-2018 is available.



Basic colour: grey, white.

Dimensions (LxV): 190x83 cm

Inside measurements of the seat (WxD): 61x50 cm

Range of height adjustment (min-max): 65x95 cm



MAXIMUM LOAD



4 ELECTRIC MOTORS

MECHANICAL
ADJUSTMENT



REMOTE CONTROL



KSM-042



Cross-functional facial bed for facial treatments and massages.

- Bed height adjustment – electric motor. Adjusted by remote control/pedal unit.
- Backrest, footrest, headrest adjustment – mechanics.
- Can be laid flat.
- Equipped with memory foam mattress, arms and headrest with a face hole.

Certificate of validation of a medical product No. RZN 2018/7566 issued on 31-08-2018 is available.

Basic colour: white, ivory.
 Dimensions (LxV): 197x83 cm
 Inside measurements of the seat (WxD): 61x51 cm
 Range of height adjustment (min-max): 53x89 cm



KK-6906



The facial bed KK-6906 is designed for various facial and body treatments.

- Height adjustment – hydraulics.
- Backrest, footrest adjustment – mechanic.
- Can be laid flat.
- Equipped with memory foam mattress, arms and headrest with a face hole.

Certificate of validation of a medical product No. RZN 2018/7566 issued on 31-08-2018 is available.

Basic colour: white, ivory.
 Dimensions (LxV): 185x80cm
 Inside measurements of the seat (WxD): 60x47 cm
 Range of height adjustment (min-max): 64x75 cm



MAXIMUM LOAD



ELECTRIC MOTOR

MECHANICAL ADJUSTMENT



REMOTE CONTROL

MAXIMUM LOAD



HYDRAULIC LIFT

MECHANICAL ADJUSTMENT



ECONOMY OPTION



KK-8089



A stationary metal-framed facial bed.
 Upper and lower part adjustment – mechanics.
 Can be laid flat.
 Equipped with memory foam mattress, arms and headrest with a face hole.
 Certificate validation of a medical product
 No. RZN 2018/7078 issued on 03-05-2018 is available.
 Basic colour: white, ivory.
 Dimensions (LxWxH): 185x80x70 cm



KK-01



A stationary white-coloured metal-framed facial bed.
 Upper and lower part adjustment – mechanics.
 Can be laid flat.
 Certificate validation of a medical product
 No. RZN 2018/7078 issued on 03-05-2018 is available.
 Basic colour: white, ivory.
 Dimensions (LxWxH): 183x58x68 cm





WORKING TABLES

ESTET

A multifunctional moving table for beauty parlours. Its peculiar design – no sidewalls – makes it possible to use the table from any side. Open sides ensure easy equipment wire connection. The top shelf has elegant catchers. Two comfortable full opening drawers with joint guides allow the specialist to easily put the accessories in the drawer.

Basic colour: white.

Dimensions (LxWxH): 65x45x86 cm

UFO

This closed drawer unit is designed for pedicure and treatment salons. It is made of laminated chipboard with one shelf and four pull-out drawers. One drawer is equipped with 8Watt UF-lamp. The drawer has a socket and power extension.

Basic colour: white.

Dimensions (LxWxH): 60x45x87 cm

MAXI

NEW



A white-coloured metal-framed table made of chipboard with two shelves, pull-out drawer and special fixation for a magnifying lamp for professional use. The table has wheels for easy moving, so that the accessories and tools are always at hand. Perfect for pedicure, facial or massage room.

Basic colour: white.
Dimensions (LxWxH): 57x44x96 cm

MAXI 2

NEW



A white-coloured metal-framed table made of chipboard with one shelf, two pull-out drawers and special fixation for a magnifying lamp for professional use. The table has wheels for easy moving, so that the accessories and tools are always at hand. Perfect for pedicure, facial care or massage room.

Basic colour: white.
Dimensions (LxWxH): 57x44x96 cm

TRIO



A table for professional use. White-coloured metal frame. It has three shelves and a pull-out drawer from laminated chipboard, a power extension with three sockets, and an opening for a magnifying lamp. The table will be perfect for pedicure, facial care or massage rooms.

Basic colour: white.
Dimensions (LxWxH): 50x30x73 cm

SP MINI



A professional metal-framed table with three bordered metal or glass shelves and an opening for magnifying lamp. Perfect for pedicure, facial, massage and SPA-treatment rooms.

Basic colour: white.
Dimensions (LxWxH): 50x40x66 cm

ZETTA



A professional metal-framed table. It has three shelves from laminated chipboard and an opening for magnifying lamp. Perfect for pedicure, facial, massage and SPA-treatment rooms.

Basic colour: white.
Dimensions (LxWxH): 53x43x82 cm

JX-A04 JX-403

JX-A04 hydraulic lift with JX-403 five-star base
Height from 310 to 450 mm



JX-A04 SQUARE

JX-A04 hydraulic lift with JX-R010 square base
Height from 310 to 450 mm



JX-A04 JX-096

JX-A04 hydraulic lift with JX-096 five-star base
Height from 310 to 450 mm



JX-A04 SQUARE

JX-A04 hydraulic lift with JX-R013 square base
Height from 310 to 450 mm



JX-A04-I JX-403

JX-A04-I hydraulic lift with JX-403 five-star base
Height from 310 to 500 mm



JX-A04 DISK

JX-A04 hydraulic lift with R-001 disk
Height from 310 to 450 mm



EASY CRAB CHROME

EASY hydraulic lift with crab five-star chrome base
Height from 310 to 450 mm



E030B DISK

E030B hydraulic lift with A020 disk
Height from 430 to 530 mm



EASY ALUMINIUM

EASY hydraulic lift with aluminium five-star base
Height from 310 to 450 mm



P023



Medium sink for backwash unit.
Material: ceramics
Colour: white

JX-033 I



Deep sink for backwash unit, completed with a drain.
Material: ceramics
Colours: white, black

JX-020



Deep sink for backwash unit, completed with a drain.
Material: ceramics
Colours: white, black



JX-SLT5+JX-PT6

Mixer tap with a mounting kit for a backwash unit completed with a plastic black shower head.

DZ02



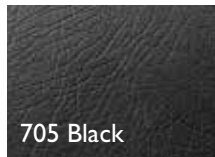
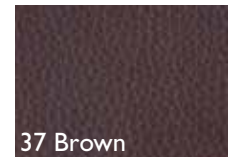
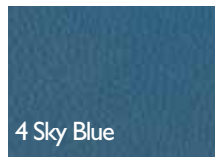
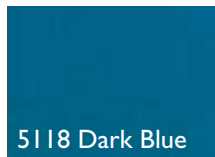
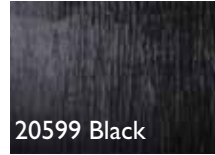
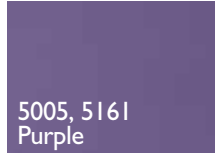
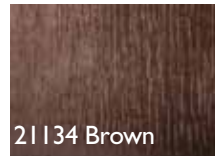
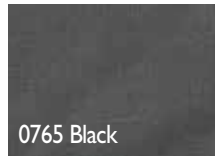
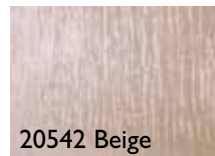
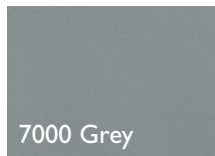
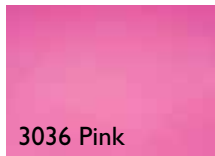
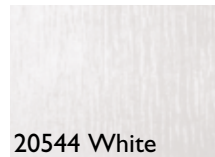
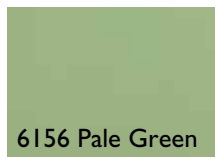
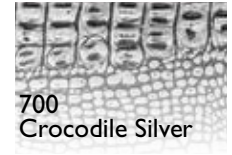
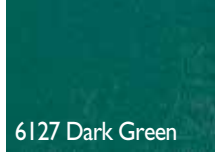
Small tilt angle completed with rubber bands.
Used with small and medium-sized sinks.

DZ03

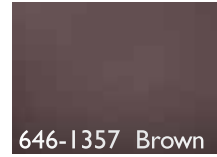
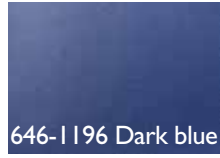


Deep tilt angle completed with rubber bands.
Used with deep sinks.

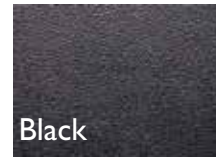
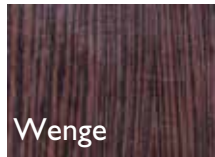
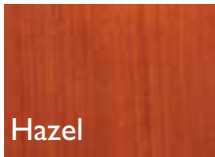
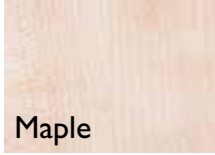
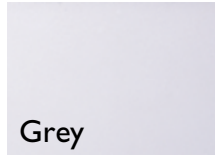
Category B



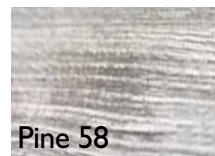
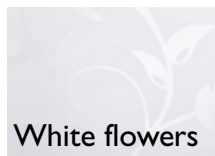
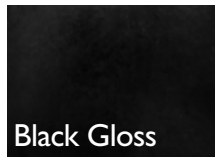
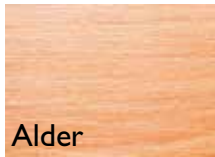
Category A



Category B



Category A



Hitek additional services

Hitek provides a full range of services for the convenience of our customers, including delivery, installation, warranty and subsequent maintenance of hairdressing and SPA-equipment.

Delivery

With our staff of skilled logistics experts, you can always receive your orders quickly and on time! We deliver equipment in Moscow and Moscow Oblast ourselves, and we ship our products to any region of Russia by our trusted transportation companies. Optionally, you can pick up your order by yourself from our warehouse in Moscow or at one of our branch offices.

Installation

Large equipment is transported disassembled. Not everyone can assemble it; moreover, why take risks and reduce the service life of equipment due to improper assembly? Hitek offers you a good solution: when ordering, you can also pick the equipment installation option. Thanks to highly skilled Hitek professionals, you will pass this stage easily and quickly – at the time convenient for you.

Warranty and maintenance

Hitek undertakes warranty obligations over all equipment sold; the warranty period is 12 months. Each order is accompanied with a package of official documents, including warranty certificate, which indicates the duration of warranty obligations in the Hitek service centre.

We build our relationships with customers in strict accordance with the Russian law that describes the stages of interaction between supplier and customer if a warranty case occurs and regulates issues like replacing and returning defective products, shipping of a defective product to a repair facility, taking time for repair, etc. Hitek Customer Service department is an integral part of quality and professional customer service.

If you choose us, you will enjoy

- Reliability – our Service Centre is equipped with the most advanced diagnostics and repair equipment, ensuring performance of any complexity in the shortest possible time.
- Quality – highly skilled and experienced experts of our Service Centre are always ready to help every customer and repair the equipment of any complexity according to the highest standards.
- Benefit – we use only original spare parts and components made by trusted manufacturers.



Individual design project of a beauty salon



Are you setting up a beauty salon? An exclusive design is what can set apart your salon among lots of others. Hitek designers will help you build up a unique concept and bring it to life..

We offer:

- Developing a classy design project of any complexity – from a styling area to a beauty salon or a luxury SPA studio;
- Advice regarding finishing materials and interior items to help highlight the style;
- Assistance in selecting hairdressing and SPA equipment based on the design project and the customer's budget;
- Developing equipment and furniture layouts (with regard to SanPin instructions, SNiP provisions and fire requirements).

For a good design project, the following work should be done:

- Measurements drawing
- Re-planning diagram (walls to be erected and dismantled, partitions)
- Furniture and equipment arrangement plan (1-2 options)
- Ceiling plan (levels, finishing materials)
- Lighting plan: location of light fixtures, switches and sockets
- Bathroom fixtures arrangement plan
- Floors plan with indication of floor coatings
- Wall elevation with laying out of tiles, required elevations and sections
- Summary of interior finishing
- Final visualization of the rooms (coloured sketches)

Our designers consider the customer's wishes along with regulations, up-to-date world trends and experience in the beauty industry. Each solution, even the most reasonable design, will reflect the concept of a beauty salon, create a unique vibe and highlight the room's best features.

Developing a design project is highly individual. You can get an estimated cost of you design project and ask all the questions you have by phone (495) 995-99-59 or through sending an online request. Our experts will provide you with full details, specify the costs and duration, and describe all the data required for your order.



CENTRAL SALES OFFICE

Hitek Group

29 Elektrozavodskaya St., bldg. 2, Moscow, 107076 Russia
Tel: +7 (495) 995 995 9
www.hitekgroup.ru
www.image-master.ru

LOCAL OFFICES OF IMAGE MASTER:

Hitek-Saint Petersburg

17 Baltiyskaya St., bldg. 2, letter A, Saint Petersburg
Tel: (812) 677 06 05
www.spb.hitekgroup.ru

Hitek Siberia

253/2 Boris Bogatkov St., Novosibirsk
Tel: (383) 212 05 50
www.sibir.hitekgroup.ru

Hitek Urals

81 Pokhodnaya St., Yekaterinburg
Tel: (343) 272 45 46
www.ural.hitekgroup.ru

The details of specifications, designs and materials are valid as of the printing date.
Information contained in this catalogue is unique and represents intellectual property of Hitek Group. Distribution of this information in mass media, and its transfer to the parties not being official customers without permission of the owner is prohibited and subject to legal prosecution.

The manufacturer reserves the right to change the products.